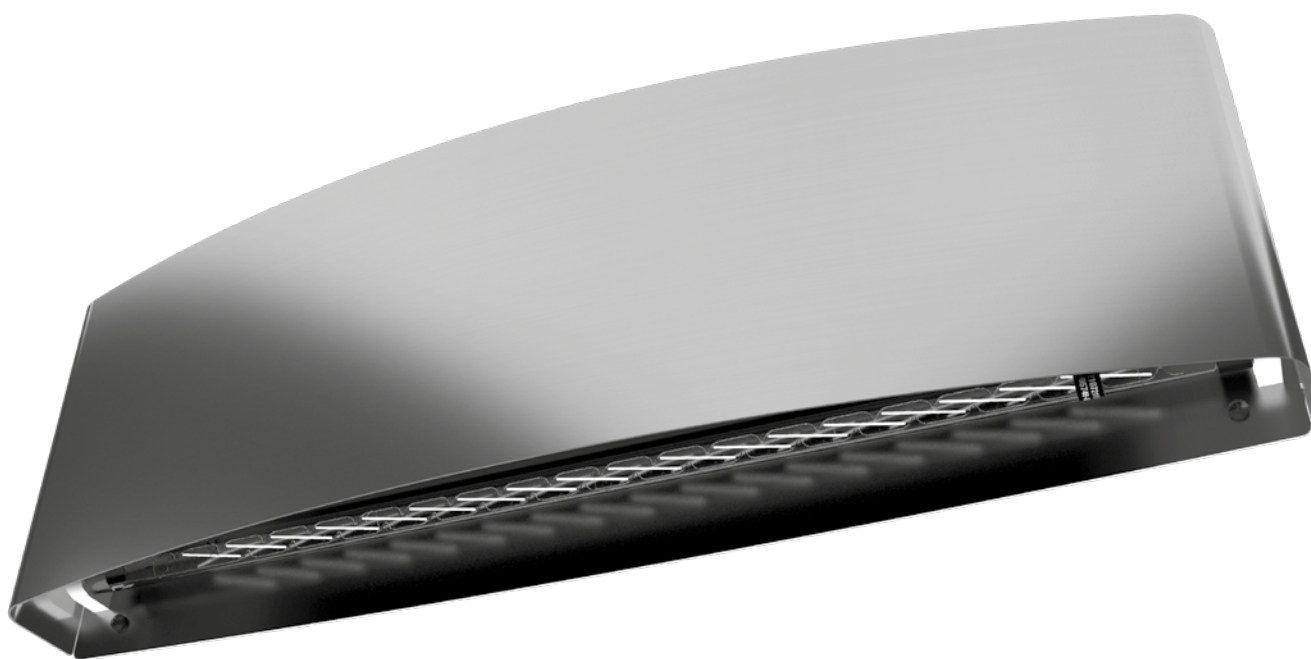


**Chameleon**<sup>®</sup>  
SIRIUS X

QUANTUM<sup>®</sup>  
LED



INSTRUCTIONS FOR USE  
GEBRUIKSAANWIJZING  
NOTICE D'INSTRUCTIONS  
GEBRAUCHSANWEISUNG  
INSTRUKCJA OBSŁUGI  
INSTRUKTIONER  
INSTRUCCIONES DE USO

## **PRECAUTIONS**

**All PestWest traps are fully insulated, Class I appliances, nevertheless, sensible precautions should be observed:**

- **Switch off the machine before servicing or cleaning**
- **Do not install where dangerous concentrations of flammable gases or dusts are likely to occur**
- **The Quantum X LED lamps produce ultraviolet light in the UV-A region at 370nm wavelength, which can be harmful to the skin and eyes, avoid prolonged exposure at close proximity.**
- **Ensure the unit is properly earthed**
- **Avoid working on the machines whilst they are still connected to the mains**
- **Ensure that operators have an adequate and secure working platform, when working on the machines**
- **Do not allow the glue board to become over-filled with dead insects. Change at regular intervals as required by the catch or at least every 6-8 weeks. Ensure PestWest glue boards are fitted as replacement**
- **The Chameleon Sirius X is designed for indoor use only and is not waterproof**
- **Not suitable for use in barns, stables or similar locations**
- **The Chameleon Sirius X can be used by persons with reduced physical, sensory or mental capabilities or lack of experience and knowledge if they have been given supervision or instructions concerning the use of the Chameleon Sirius X in a safe way and understand the hazards involved.**
- **Keep out of reach of children**
- **Ensure that a disconnection device is fitted when connecting to fixed wiring in accordance with the wiring rules**
- **If the supply cord is damaged, it must be replaced by the manufacturer, its service agent or similarly qualified persons in order to avoid a hazard**
- **To maintain the attractive appearance of the units, wipe down and clean as often as required. Use a cloth dampened with water and detergent or a proprietary cleaner. Do not use scouring pads or abrasives.**

## PRODUCT DESCRIPTION

All PestWest flytraps are made using the highest quality materials. The bodywork is polyester powder coated zinc steel (rust-resistant) with a polished aluminium reflector (Stainless steel 304 Grade front cover also available). The Chameleon Sirius X retains a PestWest sticky board and is fitted with next generation Quantum X LED filament lamps with a peak wavelength of 370nm coated with FEP shatter-resistant coating as standard.

The new Quantum X LED filament lamp is made with the familiar T5 form factor (glass tube, end caps and pins) used in our conventional 14W T5 fluorescent Quantum Lamps.

The main advantages of the Quantum X LED filament lamp technology are the extended pattern of light distribution and the improved energy efficiency. Increased fly attraction is partly due to the LED filaments light distribution, which is around 360° compared with only 120° typical of high power SMD (Surface Mounted Device) LEDs found in older first-generation LED insect light traps. LED filaments are also more energy efficient than both high power SMD UV-A LEDs and also conventional fluorescent lamps.

The Quantum X LED filament lamp consists of 18 individual LED filaments mounted on a frame and hermetically sealed within a glass tube with a state-of-the-art gas cooling system, which is far superior to traditional metal heat sinks.

Each filament has 24 individual LEDs which are mounted on a transparent substrate, which enables the Quantum X LED lamp to provide light in all directions. The combination of 360° light distribution and the softer intensity of light produced by far more LEDs (432 per lamp) gives the Quantum X superior fly catching performance.

## TECHNICAL SPECIFICATION

Voltage Range	220-240V
Frequency Range	50-60Hz
Power Consumption	13.5W
Ingress Protection Rating	20
Classification	Class 1
Ambient operating temperatures	0 to +40°C
LED Driver type	Constant Current
Area of Coverage	50 - 60m <sup>2</sup>
Sticky board	135-000226 LED 21" STICKY BOARD
LED Lamp type	130-000321 Quantum X LED 370nm 550mm T5 Shatter-Resistant
Mounting Method	Wall Mounted
Unit Dimensions mm	H190 x W580 x D120
Weight	3.1 kg

## UNPACKING YOUR UNIT

Each unit is carefully inspected and packed before leaving our factory. Before discarding the outer carton, examine for obvious evidence of transport damage. Remove the unit and pay particular attention to the removal of all packing materials, before installing the unit.

## MODE OF OPERATION

Electrical flytraps operate on the principle that most flying insects are attracted to light, particularly to the ultraviolet (UV) end of the light spectrum. Since insects are still active and will fly at night, traps should be left operating 24 hours a day.

## SITING

The efficiency of the unit can be affected by the intensity of other light sources, e.g. daylight. Therefore, mount the unit where competition from other light sources is minimised. In food areas, mount close to, but not directly over, exposed food or preparation surfaces (preferably to attract flies away from sensitive areas rather than attract towards them). Observe where the flies tend to congregate and if possible, put your flytrap in or close to that area. Site the units near where flies are likely to gain access, e.g. doors and windows opening to the outside, especially dustbin areas.

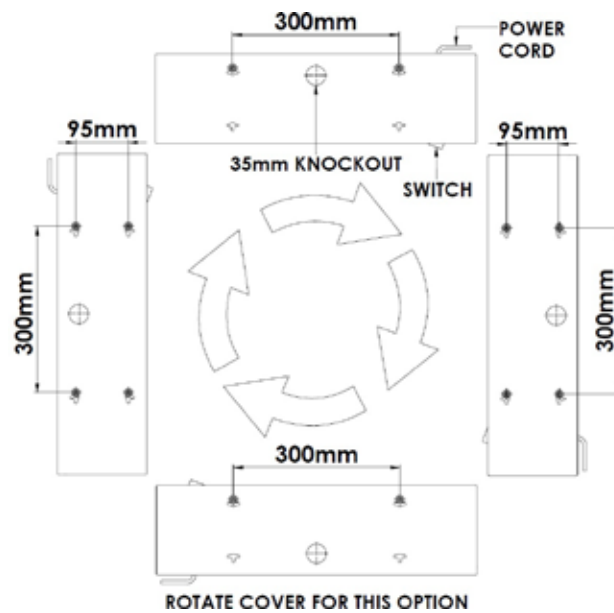
Position the trap where it can be easily reached around head height; not over working machinery where access may be difficult or dangerous.

### INSTALLATION

Select the optimum position for the Chameleon Sirius X using the guidelines given in the 'SITING' section.

The PestWest Chameleon Sirius X is supplied with a 2 metre power cord, terminated in a plug to suit local outlets, and operates from a 220-240V 50-60Hz supply. If it is necessary to extend the power cord, a competent electrician must do this. Ensure that once installed, the cord is adequately secured.

The unit has 4 keyhole slots on the rear panel to permit wall mounting, using the screws and masonry plugs provided. The unit can be mounted either horizontally, or vertically, in any orientation, enabling the power cord to exit the unit on whichever side is preferred, to best suit the electrical socket location, and provide a neat installation. The unit is supplied, as standard, to be mounted with the switch under the main chassis, or vertically in either orientation. If



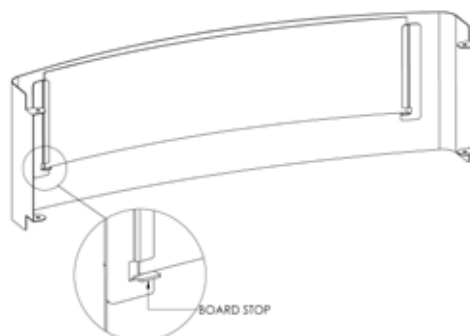
these mounting options are chosen, there is no need to remove and rotate the front cover.

NB: In certain orientations, the cover may need to be rotated, to prevent the glue board dropping out of the unit. Refer to 'FRONT COVER ROTATION' for instructions. Only 2 Keyholes should be used for horizontal mounting, whilst 4 Keyholes should be used in vertical mounting

Mark off the necessary fixings points onto the mounting surface using the template provided. Drill to a depth of 40mm using a 5.5mm drill bit. Place the plastic plugs into the wall then screw the screws into the plastic plugs leaving the head of the screw approximately 10mm from the wall. The unit will now hook over the screws because of the keyhole feature. NB: If the wall is plasterboard or stud partitioned etc, suitable fixings must be used to ensure the unit will be secure. Once the unit is securely installed, you will need to remove the backing paper from the glue board to reveal the glue surface.

### FRONT COVER ROTATION (OPTIONAL)

Unscrew the 4 screws which are securing the cover to the mount panel using a pozidrive screwdriver. Ensure the cover is rotated so that the 'board stop' feature on the board guides is located to whichever face of the unit has been selected to be the underside. Failure to do this will result in the glue board falling out of the unit.



Replacement of the cover is the opposite procedure of removal.

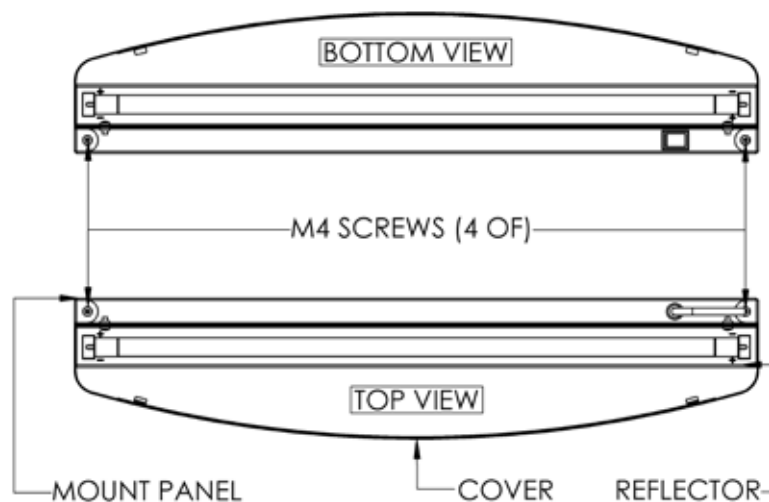
It may also be beneficial to rotate the cover when mounting the unit in the vertical orientation, if for example the unit is being located near to the corner of a room, which would otherwise limit access when replacing the glue board.

### **INSTRUCTIONS FOR HARDWIRING THE UNIT**

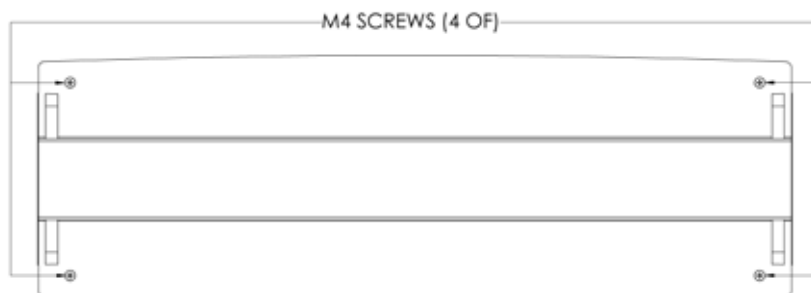
The unit also has the option of being wired through a knockout in the rear panel to allow connection directly into the buildings fixed wall light wiring. A knockout is provided for this on the rear panel and a terminal block can be found inside the enclosure for the electrical connections. If this option is used it should be performed by a qualified electrician and the existing power cord should be removed from the product and discarded. Ensure the unit is properly earthed.

**CAUTION - Ensure the mains power supply is switched off at the fuse box and remove the fuse or circuit breaker protecting the circuit.**

Firstly, the unit must be disassembled by removing both the front cover and reflector components.



Unscrew the 4 screws which are securing the cover to the mount panel using a pozidrive screwdriver, the cover can now be removed. Place the cover front side down on a soft, debris free surface to avoid any scratching of the cover. Remove the two LED lamps and place to one side.

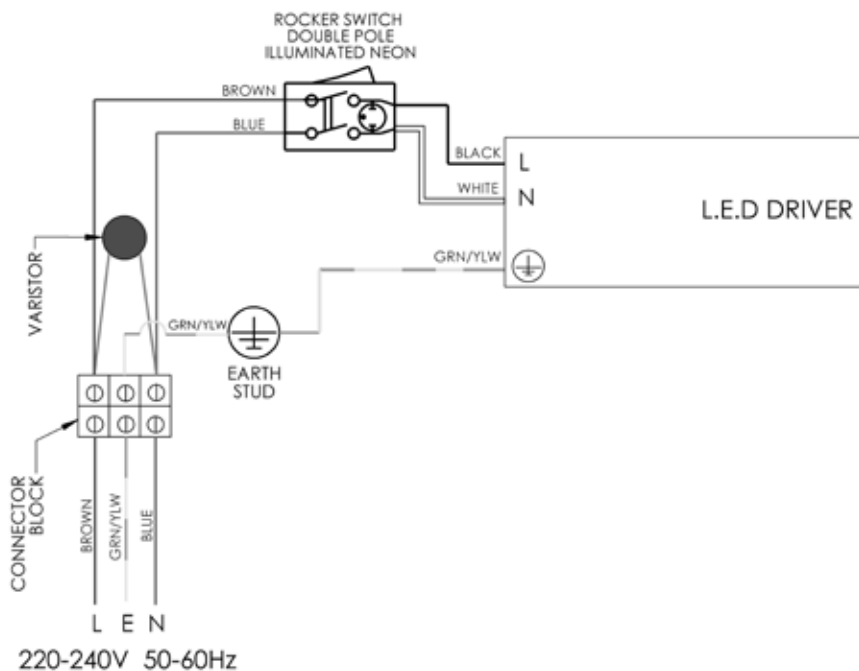


Next, unscrew the 4 remaining screws securing the reflector.

The reflector can then be moved to gain access to the internal wiring.

Unscrew the small screws on the connector block which are holding in place the live, neutral and earth wires leading from the power cord and pull them out of the connector block. The power cord can now be removed from the unit by compressing the strain relief bush. This cord should now be discarded.

The knockout panel should then be removed by wedging a flat head screwdriver into the knockout slit and tapping the screwdriver with a hammer gently. Excessive force may deform the mount panel. Once the edge of the knockout is bent, you can then grip the corner with pliers and twist until the securing tabs break loose. If the edges of the hole are sharp, they should be gently filed down to ensure no wires can be cut or damaged when passing through.



**WIRING DIAGRAM**

To rewire the unit, the fixed wiring cable should be ran through the knockout and the wires can be connected to the terminal block as shown in the wiring diagram above (Live - L, Neutral - N & Earth - E). Check that the unit is properly earthed and ensure all wires are securely fastened by firmly tugging on them. None of the wires running from the LED Driver OR between the connector block and the switch should be tampered with. Once the unit is safely rewired, it can then be reassembled. Assembly is the opposite procedure of disassembly.

**CLEANING AND MAINTENANCE**

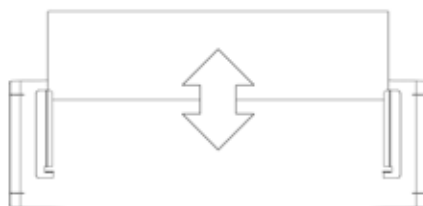
To maintain the attractive appearance of the units, wipe down and clean as often as required. Use a cloth dampened with water and detergent or a proprietary cleaner. Do not use scouring pads or abrasives.

The Quantum X LED lamps in the Chameleon Sirius X should be changed at least once every three years. It is recommended that the installation date is recorded for future reference. The Quantum X LED lamp is made from glass and has a shatter-resistant coating to allow for use in glass exclusion zones. The shatter-resistant coating is of the highest quality available, using a material, FEP that is both UV and operating temperature tolerant, whilst allowing high emission of the critical UV light.

**RENEWING STICKY BOARDS**

Switch off the machine before servicing.

Sticky boards should be changed when full or at least every 6-8 weeks. Regular inspections of the sticky boards are recommended, as they are not visible in normal operation. Remove the old sticky board by lifting it out of the guides on the reverse side of the cover.



**(VIEW FROM REAR OF COVER TO SHOW GUIDES AND BOARD POSITION)**

Always install PestWest LED 21" sticky boards to ensure peak efficiency and performance of the Chameleon Sirius X. This LED 21" sticky board has been developed in conjunction with the PestWest Quantum X LED lamps to provide the most effective performance as possible. To fit the shape of the Chameleon Sirius X, the sticky board has a perforated crease through the middle of the board. The board must be torn along this perforation and saved for future use.

Remove the backing paper from the new board and slide into the guides on the reverse side of the cover, inserting first the edge where the perforation line was. Ensure the glue surface is facing towards the LED Lamps.

**REPLACEMENT PARTS**

Sticky boards type: 135-000226 (LED 21" STICKY BOARD - PK6)

LED lamp type: 130-000321 (Quantum X LED370nm 550mm T5 Shatter-Resistant)

To ensure a safe use and optimum performance only fit the above original parts

All PestWest units are guaranteed for 3 years

(excluding lamps and boards).



**CHANGING THE LED LIGHTS**

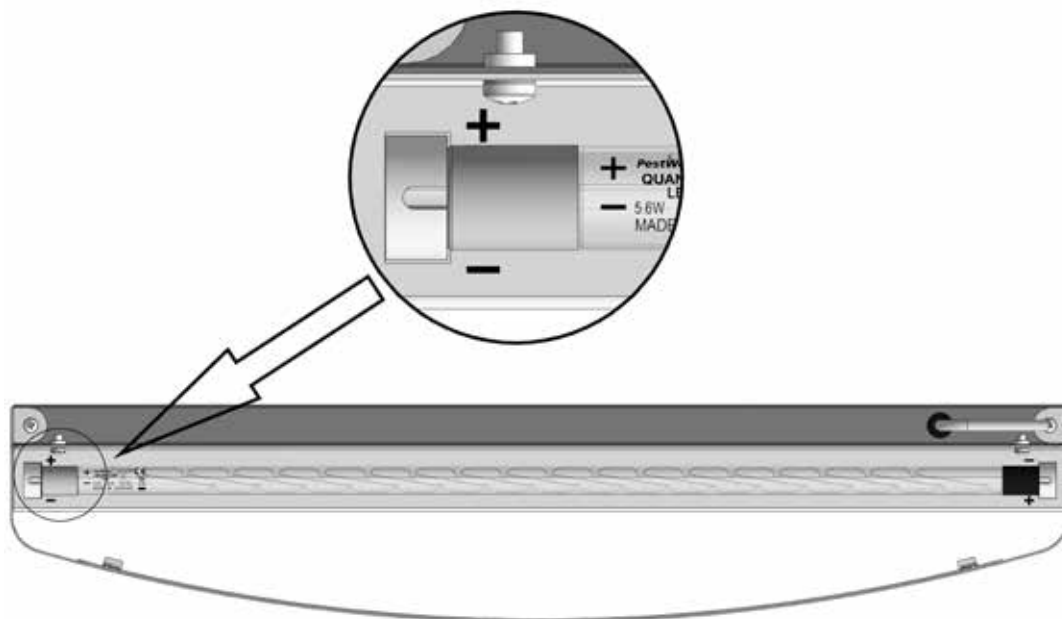
Switch off the machine before servicing. It must be noted that LED lamps are nothing like fluorescent lamps, failure to disconnect the unit from power when removing or inserting a lamp is likely to permanently damage the LEDs. This will result in the LED lamp being irreparably damaged.



Switch off the machine before servicing. Grasp and rotate each LED lamp 90° until the 2 clicks are heard. The LED lamps may then be withdrawn by sliding them out the lamp holders. CAUTION- Quantum X LED lamps are powered by Direct Current (D.C.) at one end only, which is easily recognised by the silver end cap and printing on the left-hand side (LHS), see figure 1. The D.C. input pins (LHS) require fitting in the correct polarity, positive (+) and negative (-). Please note that the correct polarity is marked with a + & - symbol on the Quantum X LED lamp (LHS printing) and the corresponding LED lamp pins must be fitted to the corresponding + & - symbols on the metalwork. Replacing the LED lamps is the opposite procedure to removal.

**FIGURE1 - FITTING THE LED LAMPS IN THE CORRECT POLARITY AND ORIENTATION**

- When fitting the LED lamps ensure the + & - symbols by the silver end cap of the tube are correctly aligned with the + & - symbols within the unit. The tubes can be placed in the lamp holders within the unit at either side as long as they are correctly aligned with the symbols within the unit.
- The unit will only operate with Quantum X LED 370nm 550mm T5 lamps.



Manufacturer reserves the right to vary model specification without notice.

## **VOORZORGSMATREGELEN**

**Alle PestWest® toestellen zijn volledig geïsoleerde Klasse I toestellen, maar toch moeten de volgende voorzorgsmaatregelen in acht worden genomen:**

- Schakel het toestel uit voordat het onderhouden of gereinigd wordt.
- Installeer het toestel niet op plaatsen waar gevaarlijke concentraties brandbare gassen of stof kunnen optreden.
- De Quantum X LED-lampen produceren ultraviolet licht in het UV-A-gebied met een golflengte van 370 nm, wat schadelijk kan zijn voor de huid en ogen. Vermijd langdurige blootstelling in de buurt van het toestel.
- Zorg ervoor dat het toestel is voorzien van een deugdelijke aarding.
- Werk niet aan het toestel terwijl deze nog op het lichtnet is aangesloten.
- Zorg ervoor dat onderhoudstechnici een geschikt en veilig werkplatform hebben wanneer ze aan het toestel werken.
- Vermijd dat de lijmplank overvol raakt met dode insecten. Vervang deze met regelmatige tussenpozen zoals vereist door de vangst of ten minste elke 6 tot 8 weken. Zorg ervoor dat enkel PestWest lijmplanken als vervanging worden aangebracht.
- De Chameleon Sirius X is uitsluitend ontworpen voor gebruik binnenshuis en is niet waterbestendig.
- Niet geschikt voor gebruik in schuren, stallen en soortgelijke locaties.
- De Chameleon Sirius X kan worden gebruikt door personen met een mentale of fysieke beperking of door mensen met beperkte ervaring mits zij supervisie of instructies krijgen over het gebruik van de Chameleon Sirius X op een veilige manier en de betrokken gevaren begrijpen.
- Buiten het bereik van kinderen houden.
- Zorg ervoor dat een ontkoppelingsapparaat is aangebracht bij het aansluiten op vaste bedrading in overeenstemming met de bedradingsregels
- Als het netsnoer beschadigd is, moet het worden vervangen door de fabrikant, zijn serviceagent of personen met vergelijkbare kwalificaties om gevaar te voorkomen.
- Om het uiterlijk van de toestellen te behouden, moet u ze zo vaak als nodig afnemen en schoonmaken. Gebruik een met water en schoonmaakmiddel bevochtigde doek of een geschikt schoonmaakmiddel. Gebruik geen schuursponsjes of schuurmiddelen.



## PRODUCTOMSCHRIJVING

Alle PestWest toestellen zijn gemaakt van materialen van de hoogste kwaliteit. Het chassis van de Chameleon Sirius X is van polyester gepoedercoat roestbestendig zintec staal (roestbestendig) met een gepolijste aluminium reflector (roestvrijstalen voorkant van 304 rvs tevens verkrijgbaar). De Chameleon Sirius X bevat een PestWest lijmplank en is uitgerust met nieuwe generatie Quantum X LED filament lampen met een piekgolflengte van 370 nm, standaard met FEP breukvrije ("shatterproof") coating.

De nieuwe Quantum X LED filament lamp is gemaakt met de bekende T5-vormfactor (glazen buis, eindkappen en pennen) die wordt gebruikt in onze conventionele 14W T5 Quantum UV-lampen.

De belangrijkste voordelen van de Quantum X LED filament lamptechnologie zijn de veel bredere lichtverdeling en de verbeterde energie-efficiëntie. De verhoogde aantrekkingskracht voor vliegende insecten is gedeeltelijk te danken aan de lichtverdeling van de LED filamenten, wat neerkomt op ongeveer 360° en dus veel ruimer is vergeleken met slechts 120°, wat typisch is voor krachtige SMD (Surface Mounted Device) LED's die worden aangetroffen in oudere LED-insectenvangers van de eerste generatie. LED filamenten zijn ook energiezuiniger dan krachtige SMD UV-A-LED's en conventionele UV-lampen.

De Quantum X LED filament lamp bestaat uit 18 individuele LED filamenten die op een frame zijn gemonteerd en hermetisch zijn afgesloten in een glazen buis met een geavanceerd gaskoelsysteem, dat veel betere prestaties levert dan traditionele metalen koellichamen.

Elk LED filament heeft 24 individuele LED's die op een transparant substraat zijn gemonteerd, waardoor de Quantum X LED-lamp in alle richtingen licht kan geven. De combinatie van 360° lichtverdeling en de zachtere lichtintensiteit van veel meer leds (432 per lamp) maakt dat de Quantum X superieure prestaties biedt voor het wegvangen van vliegende insecten.

## TECHNISCHE SPECIFICATIES

Spanningsbereik	220-240V
Frequentiebereik	50-60Hz
Energieverbruik	13,5W
Ingress Protection Classificatie	20
Classificatie	Klasse 1
Omgevingstemperatuur	0 tot +40°C
LED Driver type	Constante stroom
Vangbereik	50 - 60 m <sup>2</sup>
Lijmplank	135-000226 LED 21" LIJMPLANK
LED Lamp type	130-000321 Quantum X LED 370nm 550mm T5 Shatter-Resistant
Montagemethode	Wandmontage
Afmetingen toestel (in mm)	H: 190 x L: 580 x D: 120
Gewicht	3,1 kg

## UW TOESTEL UITPAKKEN

Elk toestel wordt zorgvuldig geïnspecteerd en verpakt voor vertrek uit de fabriek. Controleer, voordat u het toestel uitpakt, de verpakking op eventuele transportschade. Verwijder vervolgens zorgvuldig alle verpakkingsmaterialen van en uit het toestel voordat u het installeert.

## WERKING

Elektrische vliegenvangers werken volgens het principe dat de meeste vliegende insecten worden aangetrokken door licht, met name naar het ultraviolette (UV) uiteinde van het lichtspectrum. Aangezien vliegende insecten 's nachts actief zijn en zullen rondvliegen, wordt aangeraden om de toestellen 24 uur per dag aan te laten staan.

## POSITIONERING

De efficiëntie van het toestel kan worden beïnvloed door de intensiteit van andere lichtbronnen, bv. daglicht. Positioneer het toestel daarom op plaatsen waar de concurrentie van andere lichtbronnen tot een minimum wordt beperkt. Positioneer het toestel op plaatsen waar met voedsel wordt gewerkt dicht bij, maar niet direct boven blootgestelde voedsel- of bereidingsoppervlakken om vliegen weg te lokken van gevoelige gebieden in plaats van ze er naar toe te lokken. Observeer waar de vliegen de neiging hebben om samen te komen en plaats, indien mogelijk, het toestel in of dicht bij dat gebied. Plaats het toestel in de buurt van plaatsen waar vliegen waarschijnlijk toegang kunnen krijgen, bv. deuren en ramen die naar buiten openen, vooral gebieden waar afvalbakken staan.

Plaats het toestel daar waar het gemakkelijk kan worden bereikt, idealiter rond hoofdhoogte voor gemakkelijk onderhoud; niet direct boven werkende machines, waar toegang moeilijk of gevaarlijk kan zijn.

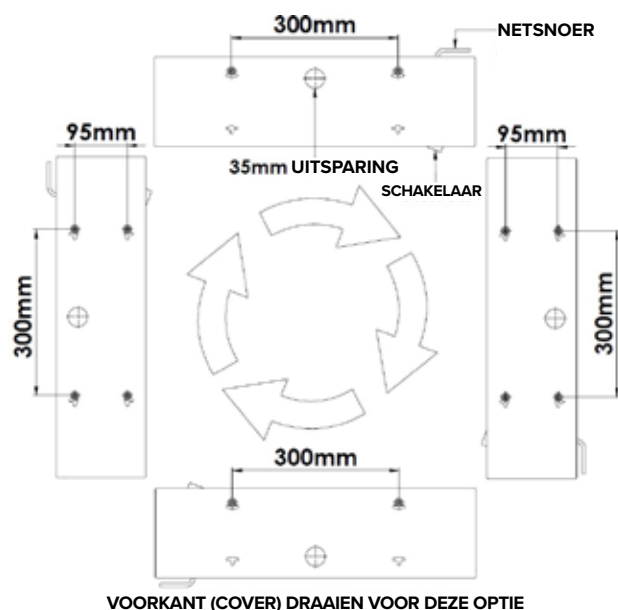
## INSTALLATIE

Selecteer de optimale positie voor de Chameleon Sirius X met behulp van de richtlijnen vermeld onder 'POSITIONERING'.

De PestWest Chameleon Sirius X wordt geleverd met een netsnoer van 2 meter, met een stekker die past op lokale stopcontacten, en werkt op een 220-240V 50-60Hz voeding. Als het netsnoer moet worden verlengd, moet dit gebeuren door een bevoegde en gekwalificeerde elektricien. Zorg ervoor dat het snoer na installatie voldoende stevig is vastgemaakt.

Het toestel heeft 4 sleutelgatvormige uitsparingen op het achterpaneel om wandmontage mogelijk te maken met behulp van de meegeleverde schroeven en pluggen. Het toestel kan horizontaal of verticaal gemonteerd worden in elke richting zodat het netsnoer zo optimaal mogelijk bij de locatie van een stopcontact gebracht kan worden en een nette, discrete installatie mogelijk is. Het toestel wordt standaard geleverd voor montage met de schakelaar onder het hoofdchassis, of verticaal in beide richtingen. Als voor deze montagemogelijkheden wordt gekozen, is het niet nodig om de cover (voorkant) te verwijderen en om te draaien.

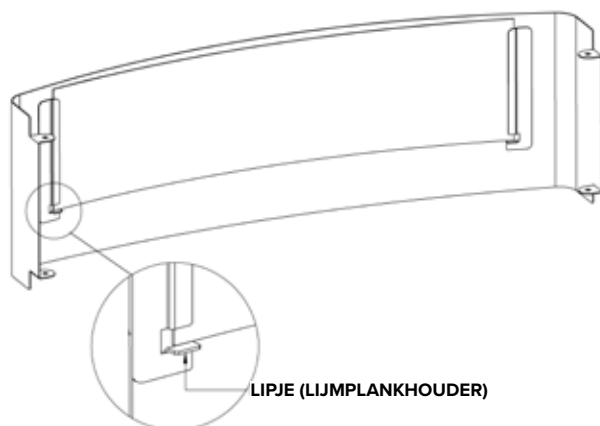
NB: In bepaalde richtingen moet de cover mogelijk worden gedraaid om te voorkomen dat de lijmplank uit het toestel valt. Raadpleeg 'VOORKANT DRAAIEN' voor instructies. Voor horizontale montage volstaat het om slechts 2 sleutelgatvormige uitsparingen te gebruiken. Voor verticale montage dienen de 4 uitsparingen gebruikt te worden.



Markeer de noodzakelijke bevestigingspunten op het montageoppervlak met behulp van de meegeleverde sjabloon. Boor tot een diepte van 40 mm met een boor van 5,5 mm. Plaats de plastic pluggen in de muur en draai de schroeven in de plastic pluggen, waarbij u de kop van de schroef ongeveer 10 mm van de muur laat. Het toestel kan nu op de schroeven gehaakt worden dankzij de uitsparingen in het achterpaneel. NB: Als de muur gemaakt is van gipsplaat of staanderwanden e.d. moeten geschikte bevestigingen worden gebruikt om ervoor te zorgen dat het toestel stevig bevestigd kan worden. Zodra het toestel stevig is gemonteerd, dient de beschermfolie van de lijmplank verwijderd te worden om het lijmmoppervlak te onthullen.

**VOORKANT DRAAIEN (OPTIONEEL)**

Schroef met een kruiskopschroevendraaier de 4 schroeven los waarmee de cover aan het montagepaneel is bevestigd. Zorg ervoor dat de cover zo wordt gedraaid dat het lipje (lijmplankhouder) op de lijmplankgeleiders zich aan de onderkant van van het toestel bevindt. Als u dit niet doet, zal de lijmplank uit het toestel vallen.



Om de cover te vervangen, volgt u de omgekeerde procedure zoals hierboven beschreven.

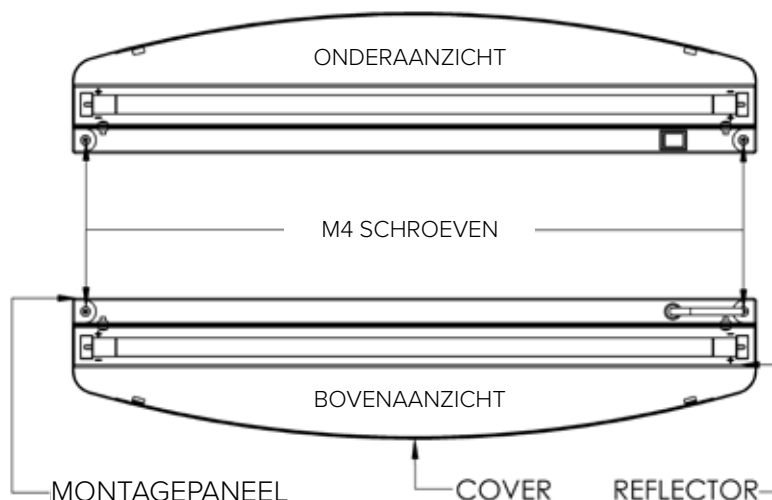
Wanneer blijkt dat het toestel in verticale positie (bv. in een hoek of tegen een muur in een bepaalde ruimte) de lijmplankwissel bemoeilijkt, is het tevens handig om de cover om te draaien om zo goed mogelijk bij de lijmplank te kunnen.

**INSTRUCTIES VOOR VASTE BEDRADING VAN HET TOESTEL**

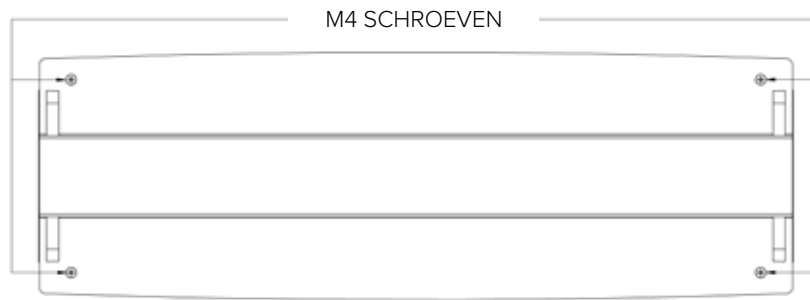
Het is ook mogelijk om het toestel aan te sluiten op de vaste bedrading via een uitsparing in het achterpaneel om rechtstreekse aansluiting op de vaste wandlampbedrading van het gebouw mogelijk te maken. Hiervoor is op het achterpaneel een uitsparing aangebracht en in de behuizing bevindt zich een aansluitblok voor de elektrische aansluitingen. Als deze optie wordt gebruikt, moet dit worden uitgevoerd door een gekwalificeerde elektricien en moet het bestaande netsnoer van het product worden verwijderd en weggegooid. Zorg ervoor dat het apparaat correct geaard is.

**LET OP - Zorg ervoor dat de netvoeding is uitgeschakeld bij de zekeringkast en verwijder de zekering of stroomonderbreker die het circuit beschermt**

Allereerst moet de cover van het toestel verwijderd worden alsook de reflector.



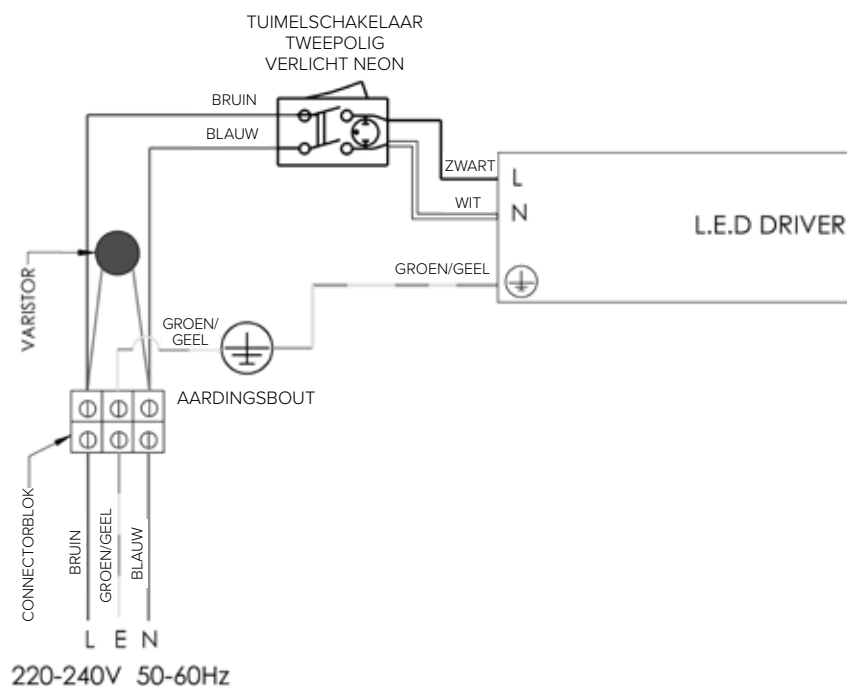
Draai met een kruiskopschroevendraaier de 4 schroeven los waarmee de cover aan het montagepaneel is bevestigd. De cover kan nu worden verwijderd. Leg hem met de voorkant naar beneden op een zacht, vuilvrij oppervlak om krassen en beschadigingen te voorkomen. Verwijder de twee LED-lampen en leg ze opzij.



Draai dan de 4 schroeven los die de reflector op zijn plaats houden. Hij kan nu losgekoppeld worden van het toestel waardoor toegang tot de interne bedrading mogelijk is.

Schroef de kleine schroeven op het connectorblok los die de stroomvoerende, neutrale en aardraden die vanaf het netsnoer lopen op hun plaats houden en trek ze uit het connectorblok. Het netsnoer kan nu uit het toestel worden verwijderd door de trekontlastingsbus samen te drukken. Dit snoer moet nu worden weggegooid.

Het uitduwpaneel moet vervolgens worden verwijderd door een platte schroevendraaier in de uitspanseleuf te steken en voorzichtig met een hamer op de schroevendraaier te tikken. Tik niet te hard, om het montagepaneel niet te vervormen. Zodra de rand van de uitbreekopening is gebogen, kunt u de hoek met een tang vastpakken en draaien totdat de borglipjes losraken. Als de randen van het gat scherp zijn, moeten ze voorzichtig naar beneden worden gevild om ervoor te zorgen dat er geen draden kunnen worden doorgesneden of beschadigd wanneer ze worden doorgevoerd.



### **BEDRADINGSSCHEMA**

Om het toestel opnieuw te bedraden, moet de vaste bedradingskabel door de uitsparing worden geleid en kunnen de draden worden aangesloten op het klemmenblok zoals weergegeven in het bedradingsschema hierboven (Live - L, Neutral - N & Earth - E). Controleer of het toestel goed is geaard en zorg ervoor dat alle draden stevig zijn vastgemaakt door er stevig aan te trekken. Er mag niet worden geknoeid met de draden die van de LED-driver OF tussen het connectorblok en de schakelaar lopen. Zodra het toestel veilig opnieuw is bedraad, kan het opnieuw worden gemonteerd. Montage is de tegenovergestelde procedure van demontage.

### **SCHOONMAAK EN ONDERHOUD**

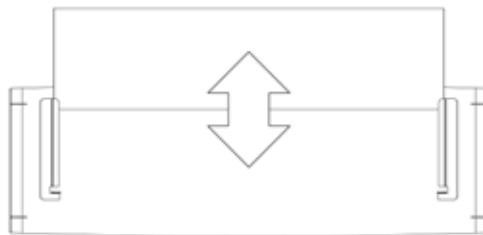
Schakel het toestel altijd uit voordat u het schoonmaakt. Om het aantrekkelijke uiterlijk van de toestellen te behouden, moet u ze zo vaak als nodig afvegen en schoonmaken. Gebruik een met water en schoonmaakmiddel bevochtigde doek of een geschikt schoonmaakmiddel. Gebruik geen schuursponsjes of schuurmiddelen.

De Quantum X LED lampen in de Chameleon Sirius X zouden tenminste één keer per 3 jaar vervangen moeten worden. Het wordt aanbevolen om de datum van plaatsing bij te houden voor toekomstig gebruik. De Quantum X LED lamp is gemaakt van glas en heeft een breukvrije coating voor toepassing in glasuitsluitingszones. De breukvrije coating is van de hoogste kwaliteit die beschikbaar is, met een materiaal, FEP dat zowel UV- als bedrijfstemperatuur tolerant is, terwijl het een hoge emissie van het kritische UV-licht toelaat.

### **DE LIJMPLANK VERVANGEN**

Schakel het toestel uit voordat u onderhoud pleegt.

Lijmplanken moeten worden vervangen wanneer ze vol zijn of ten minste elke 6 tot 8 weken. Regelmatige inspecties van de lijmplanken worden aanbevolen, omdat ze bij normaal gebruik niet zichtbaar zijn. Verwijder de oude lijmplank door hem uit de geleiders aan de achterkant van de cover te tillen.



### **(ZICHT VAN DE ACHTERKANT VAN DE COVER MET DE GELEIDERS EN POSITIE VAN DE LIJMPLANK)**

Plaats altijd PestWest 21" LED-lijmplanken om maximale efficiëntie en prestaties van de Chameleon Sirius X te garanderen. Deze LED-lijmplanken zijn ontwikkeld in combinatie met de PestWest Quantum X LED-lampen om de meest effectieve prestaties te leveren. Om in de Chameleon Sirius X te passen, is de LED-lijmplank voorzien van een geperforeerde vouw in het midden. De lijmplank moet langs deze perforatie worden gescheurd. Verwijder de beschermfolie van de nieuwe lijmplank en schuif het in de geleiders aan de achterkant van de cover, waarbij u eerst de rand invoegt waar de perforatielijn was. Zorg ervoor dat het lijmoppervlak naar de LED-lampen is gericht.

### **VERVANGONDERDELEN**

Lijmplanken: 135-000226 (PestWest 21" LED-LIJMPLANK PK6)

LED lamp type: 130-000321 (Quantum X LED370nm 550mm T5 Shatter-Resistant)

Om een veilig gebruik en optimale prestaties van het toestel te garanderen, uitsluitend bovenstaande originele (vervang)onderdelen gebruiken!

Alle PestWest toestellen hebben een garantie van 3 jaar (exclusief lampen en lijmplanken).



#### **DE LED-LAMPEN VERVANGEN**

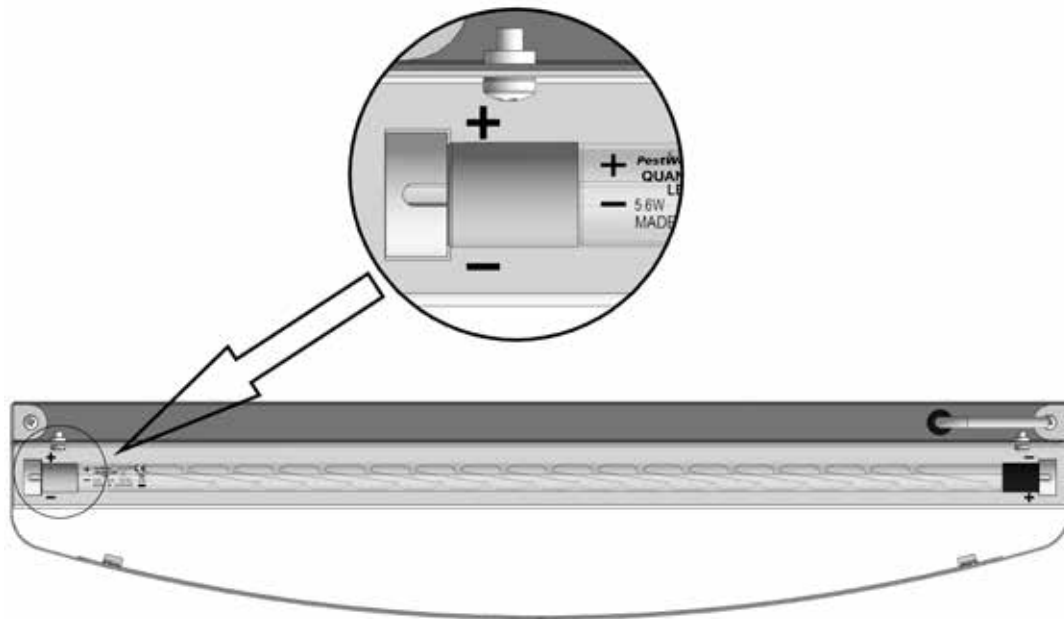
Schakel het toestel uit voordat u onderhoud pleegt. Let op: LED-lampen zijn geen UV-lampen! Wanneer het toestel niet wordt losgekoppeld van de stroom bij het verwijderen of het plaatsen van een lamp, zal de LED waarschijnlijk permanent worden beschadigd. Hierdoor wordt de LED-lamp onherstelbaar beschadigd.



Schakel het toestel uit voordat u onderhoud pleegt. Pak elke LED lamp vast en draai deze 90° totdat er 2 klikken hoorbaar zijn. De LED lampen kunnen dan worden weggenomen door ze uit de lamphouders te schuiven. LET OP - Quantum X LED lampen worden slechts aan één uiteinde gevoed door gelijkstroom (DC), wat gemakkelijk te herkennen is aan de zilveren eindkap en de bedrukking aan de linkerkant (LHS), zie figuur 1. De DC-ingangspennen (LHS) moeten in de juiste polariteit worden geplaatst, positief (+) en negatief (-). Houd er rekening mee dat de juiste polariteit is gemarkeerd met een "+" & "-" symbool op de Quantum X LED lamp (LHS opdruk) en dat de bijbehorende LED lampspennen moeten worden aangebracht op de overeenkomstige "+" & "-" symbolen op het metaalwerk. Het vervangen van de LED lampen is de tegenovergestelde procedure voor het verwijderen.

**FIGUUR 1 - DE LED LAMPEN IN DE JUISTE POLARITEIT EN ORIËNTATIE PLAATSEN**

- Zorg er bij het monteren van de LED-lampen voor dat de "+" & "-" symbolen aan de zilveren eindkap van de lamp correct zijn uitgelijnd met de "+" & "-" symbolen in het toestel. De lampen kunnen aan beide zijden in de lamphouders in het toestel worden geplaatst, mits ze correct zijn uitgelijnd met de symbolen in het toestel.
- De LED-lampen passen in 3 verschillende configuraties.
- Het toestel werkt alleen met Quantum X LED 370nm 550mm T5-lampen.



De fabrikant behoudt zich het recht voor om de modelspecificaties zonder voorafgaande kennisgeving te wijzigen.

## **SECURITE**

**Tous les désinsectiseurs sont entièrement isolés d'un point de vue électrique (appareils électriques appartenant à la Classe 1). Cependant, certaines précautions doivent être prises :**

- **Débrancher l'appareil avant sa maintenance ou son entretien.**
- **Ne pas installer à proximité d'une zone pouvant présenter une dangereuse concentration de gaz inflammables ou de poussières.**
- **Les tubes LED Quantum® X émettent une lumière ultraviolette dans le domaine des UVA à une longueur d'onde de 370 nm, qui peut être nocif pour la peau et les yeux, éviter une exposition prolongée à proximité immédiate.**
- **Vérifier que l'appareil est convenablement mis à la terre.**
- **Eviter de manipuler l'appareil lorsqu'il est toujours sous tension.**
- **S'assurer que l'opérateur dispose d'une position sûre et adaptée lorsqu'il intervient sur le désinsectiseur.**
- **Ne pas laisser les plaques de glu se saturer d'insectes morts. Changer les plaques à intervalles réguliers suivant le niveau de capture ou au moins toutes les 6-8 semaines. Utiliser impérativement des plaques de glu PestWest adaptées.**
- **Le Chameleon Sirius X est destiné exclusivement à une utilisation à l'intérieur des locaux. Il n'est pas résistant à l'eau.**
- **Cet appareil ne convient pas pour une utilisation dans des granges, étables ou autres endroits similaires.**
- **Le Chameleon® Sirius X peut être utilisé par des personnes ayant des capacités physiques, auditives ou mentales réduites, ou dénuées d'expérience ou de connaissance du produit, si elles sont informées des risques existants et ont pu bénéficier d'instructions ou d'une supervision préalable quant à une utilisation sûre.**
- **Garder hors de portée des enfants.**
- **Ne doit pas être utilisé par les enfants.**
- **Un système permettant de déconnecter l'appareil doit être installé lorsqu'il est câblé directement au réseau électrique.**
- **Dans le cas où le câble d'alimentation est endommagé, il doit être remplacé uniquement par le fabricant ou un agent agréé et compétent pour éviter tout risque.**
- **Un entretien simple mais régulier permet de conserver l'aspect esthétique des appareils. Pour cela, essuyer le corps de l'appareil avec un chiffon humide et un détergent doux ou un produit de nettoyage adapté. Ne pas utiliser d'abrasif ou de tampon à récurer.**

## DESCRIPTION DU PRODUIT

Tous les appareils PestWest utilisent des matériaux de très haute qualité. Le châssis est en acier électrozingué, laqué par électrodéposition d'une poudre de polyester, avec un réflecteur en aluminium poli (un habillage en acier inoxydable de norme 304 est également disponible).

L'appareil utilise une plaque de glu de grande dimension de la gamme PestWest. Il est équipé de tubes UV LED à filament Quantum® X de la nouvelle génération, gainés avec une résine FEP normative protégeant contre les bris de verre en cas d'impact. Ils présentent un pic d'émission à 370 nm.

Le nouveau tube LED à filament Quantum® X est fabriqué suivant la forme habituelle du tube T5 (tube en verre, embouts et broches), utilisée par les tubes Quantum fluorescents classiques de 14W.

Les principaux avantages de la technologie LED à filament Quantum® X sont une meilleure répartition de l'émission de la lumière et l'amélioration de l'efficacité énergétique.

L'attraction accrue sur les insectes volants est en partie due à la distribution lumineuse des filaments LED, qui est d'environ 360° contre seulement 120° typiquement pour les LED à haute puissance des désinsectiseurs plus anciens, de la première génération (munis de LED pour dispositifs de montage en surface). Les filaments LED offrent aussi une plus grande efficacité énergétique que les LED à haute puissance de montage en surface et que les tubes fluorescents conventionnels.

Le tube LED à filament Quantum® X comprend 18 filaments LED individuels montés sur un support et scellés hermétiquement à l'intérieur d'un tube en verre pourvu d'un système de refroidissement à gaz de pointe, nettement supérieur aux dissipateurs thermiques traditionnels en métal.

Chaque filament LED possède 24 LED individuelles qui sont montées sur un substrat translucide permettant au tube LED à filament Quantum® X d'émettre de la lumière dans toutes les directions. La combinaison d'une distribution lumineuse sur 360° et d'une intensité lumineuse plus douce répartie sur bien davantage de LED (432 par tube) offre au tube Quantum X une attraction sur les insectes volants supérieure.

## CARACTERISTIQUES TECHNIQUES

Plage de tension	220 - 240 V
Gamme de fréquences	50 - 60 Hz
Consommation électrique	13.5 W
Indice de Protection	20
Classification électrique	Classe 1
Températures ambiantes de fonctionnement	0 à + 40 °C
Catégorie de driver des tubes LED	Courant continu
Zone de couverture	50 - 60m <sup>2</sup>
Plaque de glu	Gamme Chameleon®, LED 55 cm; référence : 135-000226
Type de tube LED	Quantum X LED 370 nm, 550 mm, T5, gainé. Réf. : 130-000321
Montage de l'appareil	Mural
Dimensions	190 x 580 x 120 mm (hauteur x largeur x profondeur)
Poids	3,1 kg

## RETRAIT DU MATERIEL D'EMBALLAGE

Chaque modèle est inspecté et emballé avec soin avant de quitter nos locaux. A la réception de l'appareil, vérifier que le carton d'emballage extérieur ne porte pas de traces évidentes de dégradations durant le transport. Extraire l'appareil en prenant soin de retirer tous les éléments d'emballage avant son installation.

## MODE DE FONCTIONNEMENT

Le principe des désinsectiseurs repose sur l'attraction exercée par la lumière, et plus particulièrement la lumière UVA, sur la majorité des insectes volants. Les insectes étant toujours actifs la nuit, les désinsectiseurs doivent fonctionner continuellement, 24 heures par jour.



## POSITIONNEMENT

L'efficacité d'un appareil peut être affectée par l'intensité d'autres sources lumineuses comme la lumière du soleil. Par conséquent, placer l'appareil dans un endroit où la compétition avec d'autres sources lumineuses est la plus faible possible. Le désinsectiseur devrait se trouver près des zones de préparation des aliments mais pas directement au-dessus. Il doit éloigner les insectes des aliments et ne pas les attirer vers ces derniers. Observer les zones de regroupement des insectes et placer l'appareil à proximité. L'appareil devrait être placé en position d'interception entre les zones où se trouvent les aliments et celles où les mouches sont susceptibles de pénétrer, c'est-à-dire près des portes et fenêtres ouvertes sur l'extérieur, notamment en cas de présence de conteneurs à déchets. Attention toutefois à ne pas attirer les insectes de l'extérieur vers l'intérieur du local.

Placer l'appareil à un endroit accessible pour faciliter sa maintenance à hauteur de tête (et non pas au-dessus de machines qui pourraient rendre la maintenance difficile voire dangereuse).

## INSTALLATION

Choisir l'emplacement optimum pour le Chameleon Sirius X selon les critères définis dans le paragraphe "Positionnement".

Le Chameleon Sirius X est fourni avec un câble d'alimentation secteur de 2 mètres de long, dont un embout se termine par une fiche permettant de s'adapter à l'alimentation électrique locale. L'appareil fonctionne à partir d'une alimentation de 220-240 volts, 50 - 60 Hz. S'il est nécessaire de rallonger le câble d'alimentation, cette opération doit être effectuée par un électricien compétent. Lorsque l'appareil est installé, s'assurer que le cordon est parfaitement en place.

L'appareil possède 4 orifices en forme de trous de serrure sur l'arrière du châssis pour permettre une installation murale en utilisant les vis et chevilles fournis. L'appareil peut être installé soit horizontalement, soit verticalement et orienté dans la direction souhaitée pour permettre une sortie du câble d'alimentation de chaque côté de l'appareil. Ainsi il pourra être branché sur la prise de courant la plus appropriée pour une installation plus esthétique.

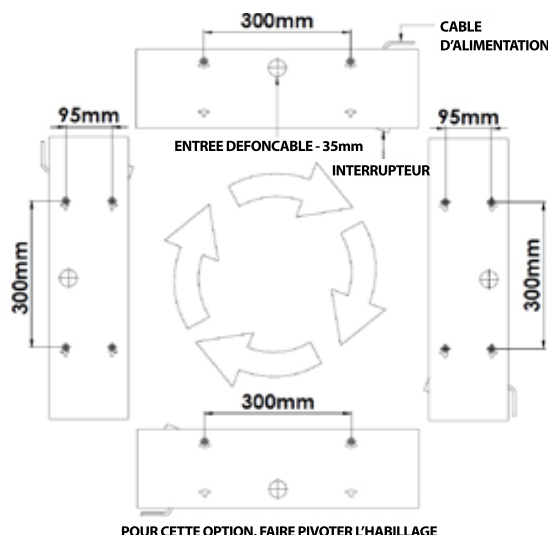
L'appareil est livré pour être monté avec l'interrupteur situé sous le châssis principal ou bien verticalement dans la direction souhaitée. Si ce montage est privilégié, il n'est pas nécessaire de démonter et de faire pivoter l'habillage de l'appareil.

NB : Pour certains montages, il faudra faire pivoter l'habillage du désinsectiseur pour éviter à la plaque de glu de tomber de l'appareil. Se référer au paragraphe "ROTATION DE L'HABILLAGE DE L'APPAREIL" pour les instructions. Deux trous de serrure sont nécessaires pour une installation horizontale et 4 pour une installation verticale.

Marquer les points de fixation nécessaires sur la surface choisie en utilisant le gabarit en papier fourni. Percer à une profondeur de 40 mm à l'aide d'une mèche de 5,5 mm. Insérer les chevilles dans le mur puis visser les vis dans les chevilles en laissant la tête de la vis, environ 10 mm, apparaître hors du mur. L'appareil peut maintenant s'accrocher sur les vis par le biais des trous de serrure.

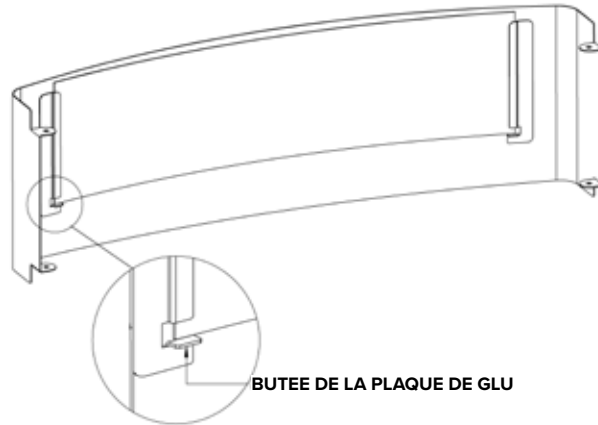
N.B. : si le mur est en placoplâtre ou de construction similaire, des pièces de fixation adaptées doivent être choisies pour permettre une installation sûre.

Lorsque l'appareil est correctement installé, retirer le papier adhésif protecteur de la plaque de glu pour exposer la face recouverte de colle.



**ROTATION DE L'HABILLAGE DE L'APPAREIL (OPTIONNELLE)**

A l'aide d'un tournevis cruciforme, dévisser les 4 vis qui sécurisent l'habillage du panneau de montage. S'assurer que l'habillage soit positionné de telle sorte que le "butoir de la plaque" au niveau des glissières se trouve vers le bas afin de maintenir la plaque en place. Dans le cas contraire, la plaque de glu tombera du désinsectiseur.



La remise en place de l'habillage est la procédure inverse du démontage.

Il peut être préférable de tourner l'habillage lorsque l'appareil est monté verticalement, par exemple si le désinsectiseur est installé dans le coin d'une pièce, afin de faciliter l'accès pour le changement de la plaque de glu.

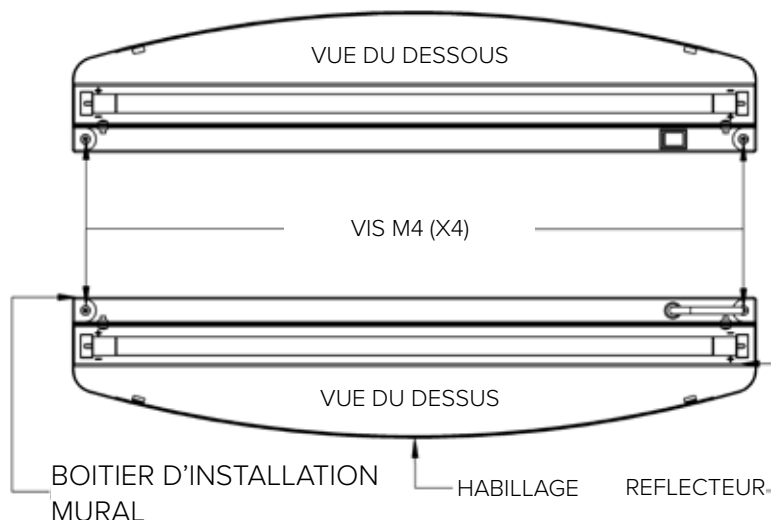
**INSTRUCTIONS POUR CABLER L'APPAREIL DIRECTEMENT AU RESEAU D'ECLAIRAGE**

L'appareil peut aussi être câblé par l'entrée circulaire défonçable afin de le connecter directement au réseau d'éclairage mural du bâtiment. L'entrée se trouve sur la face arrière du châssis de l'appareil. Une barrette de connexion électrique est disponible à l'intérieur de l'appareil. Ce choix d'installation doit se faire par un électricien compétent. Le câble d'alimentation doit être désolidarisé de l'appareil et retiré.

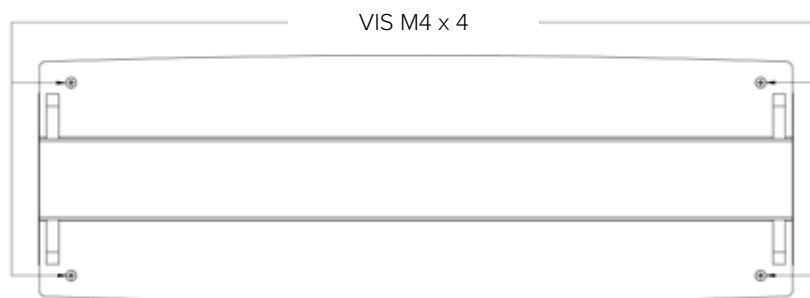
S'assurer que l'appareil est convenablement mis à la terre.

**ATTENTION – L'alimentation électrique doit être déconnectée au niveau du disjoncteur et le fusible du circuit en question retiré.**

Tout d'abord, il faut démonter l'habillage de l'appareil ainsi que le réflecteur.



Dévisser les 4 vis qui relient l'habillage au boîtier rectangulaire de l'appareil en utilisant un tournevis de type Pozidriv. Retirer l'habillage et placer sa partie avant sur une surface souple et propre, sans débris, afin d'éviter de le rayer. Retirer les deux tubes LED et les mettre de côté

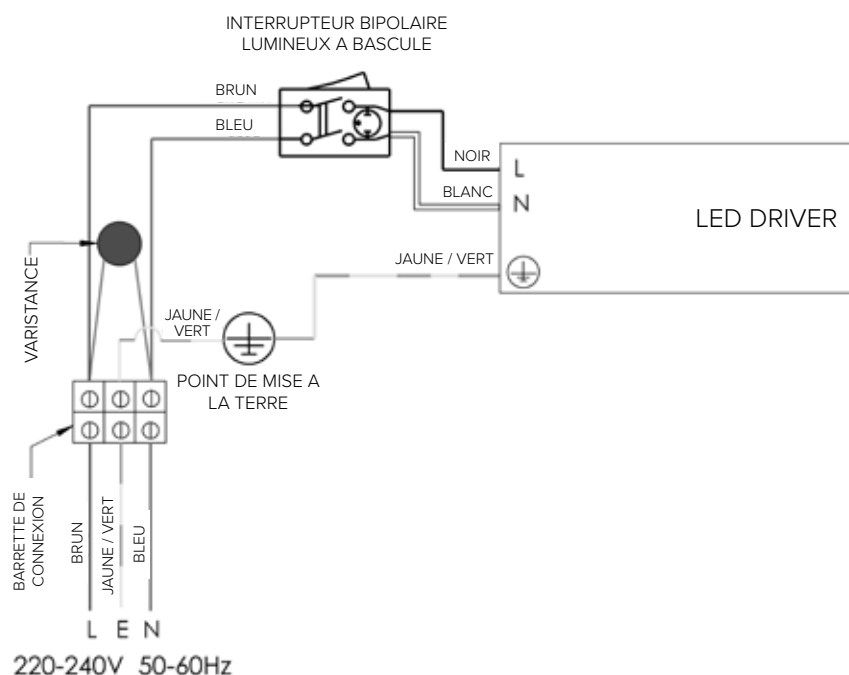


Puis, dévisser les 4 vis qui maintiennent le réflecteur en place.

Il peut maintenant être désolidarisé de l'appareil, ce qui permet d'accéder au câblage interne.

Dévisser les petites vis de la barrette électrique afin de pouvoir retirer les fils électriques provenant du câble d'alimentation (phase, neutre et terre). Le câble d'alimentation secteur et son manchon noir peuvent maintenant être retirés de l'appareil en comprimant fermement le manchon. Ce câble devrait maintenant être mis au rebut.

L'entrée circulaire défonçable doit être ouverte en tapant légèrement avec un marteau sur un tournevis à embout plat au niveau d'une des 3 encoches. Ne pas taper trop fort, cela déformerait l'arrière du châssis. Lorsque l'entrée défonçable est entre-ouverte, la saisir avec une pince et la faire tourner pour rompre les éléments de maintien restants. Si les rebords de l'orifice sont coupants, les égaliser avec une râpe pour éviter qu'ils risquent de couper ou d'endommager un fil électrique.



### SCHEMA DE CABLAGE

Pour reconnecter l'appareil, faire passer le câble fixe par l'entrée circulaire et connecter les fils à la barrette de connexion comme sur le schéma (Phase - L; Neutre -N; Terre - E). Vérifier que l'appareil est bien mis à la terre, s'assurer que tous les fils sont en place en les tirant fermement.

Aucun des fils électriques provenant du Driver LED OU reliant la barrette et l'interrupteur ne doivent être manipulés.

Lorsque l'appareil a été sûrement reconnecté, il peut alors être réassemblé. Pour l'assemblage, suivre la procédure inverse de celle du désassemblage.

### MAINTENANCE

Un entretien simple mais régulier permet de conserver l'aspect esthétique des appareils. Pour cela, essuyer le corps de l'appareil avec un chiffon humide et un détergent doux ou un produit de nettoyage adapté. Ne pas utiliser d'abrasif ou de tampon à récurer.

Les tubes LED Quantum X du Chameleon Sirius X doivent être remplacés au moins une fois tous les 3 ans. Il est recommandé de noter la date du remplacement pour des besoins ultérieurs.

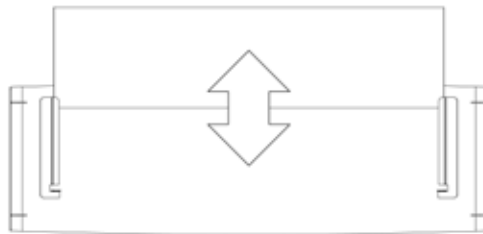
Le tube LED Quantum X comporte une enveloppe en verre qui est gainée pour une utilisation dans les zones où la présence de bris de verre n'est pas tolérée. La gaine des tubes est de la plus haute qualité actuellement disponible. Le matériau utilisé (FEP) permet une excellente diffusion de la lumière UV attractive tout en résistant parfaitement à la température du tube en fonctionnement et aux UV.

### **CHANGEMENT DE LA PLAQUE DE GLU**

Débrancher l'appareil avant sa maintenance.

Les plaques de glu doivent être changées au moins une fois tous les deux mois, pour des raisons d'hygiène, ou dès qu'elles sont pleines. Une inspection régulière des plaques de glu est recommandée et ce d'autant plus qu'elles ne sont pas visibles en fonctionnement normal.

Retirer la plaque de glu usagée en la tirant vers le haut le long des glissières situées au dos de l'habillage de l'appareil.



### **(VUE DE L'ARRIERE DE L'HABILLAGE DE L'APPAREIL MONTRANT LES GLISSIERES ET LA POSITION DE LA PLAQUE DE GLU)**

Installer uniquement des plaques de glu PestWest® LED 55 cm pour garantir une efficacité et un fonctionnement optimaux du Chameleon Sirius X. Cette plaque de glu a été développée en conjonction avec les tubes LED PestWest Quantum X pour fournir les meilleures performances possibles.

La plaque de glu possède une ligne de perforation longitudinale au milieu de celle-ci pour lui permettre d'épouser la forme du Chameleon Sirius X. Elle doit être divisée le long de cette ligne de perforation. Une des deux plaques formées servira à une utilisation ultérieure.

Enlever le papier adhésif de la nouvelle plaque puis insérer la plaque dans l'appareil le long des glissières situées au dos de l'habillage. Insérer d'abord la partie où se trouvait la ligne de perforation. Le côté collant doit faire face aux tubes LED.

### **CONSOMMABLES**

Référence pour la plaque de glu : 135-000226, LED 55 cm. Par paquet de 6 plaques.

Référence pour le tube LED : 130-000321 (tube LED Quantum X gainé, 370 nm, 550 mm de long, T5).

Utiliser uniquement les pièces d'origine décrites ci-dessus afin de préserver la sûreté de l'appareil et de garantir des performances optimales.

Les appareils PestWest sont garantis pendant 3 ans (hors tubes LED et plaque de glu).



### **CHANGEMENT DES TUBES LED**

Débrancher l'appareil avant la maintenance. Il est impératif de noter que les tubes LED sont fondamentalement différents des tubes fluorescents. Omettre de débrancher l'appareil de l'alimentation secteur lors du retrait ou de l'insertion d'un tube risque fort d'endommager définitivement les LED. Cela entraînera des dommages irréparables du tube LED.



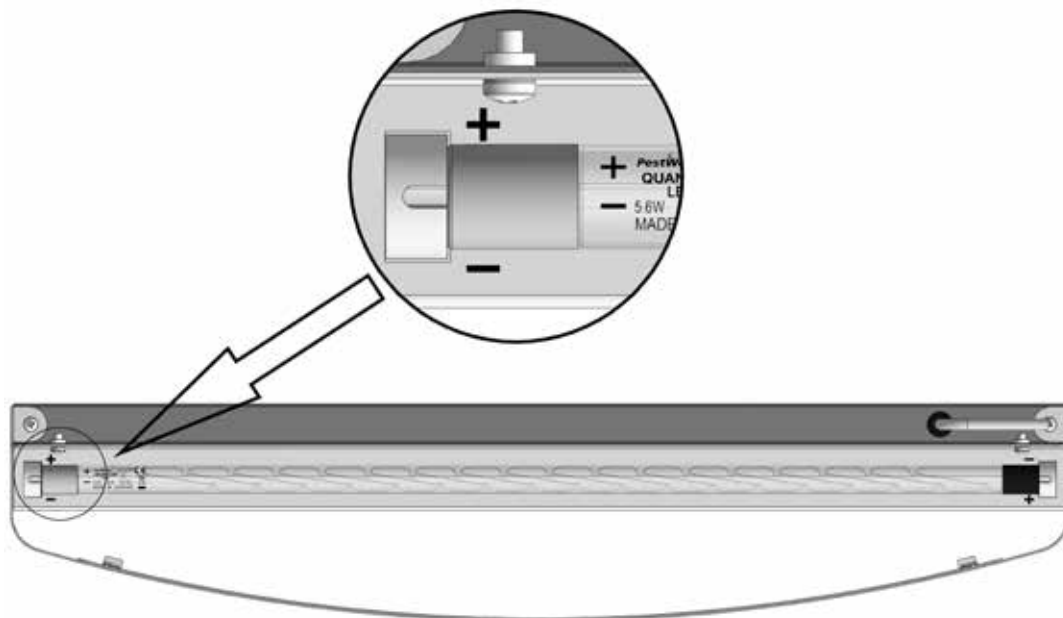
Débrancher l'appareil avant la maintenance. Saisir puis tourner chaque tube LED de 90° jusqu'à entendre les deux déclics. Puis, retirer les tubes LED hors des douilles. ATTENTION - Les tubes LED Quantum X sont alimentés en courant continu à une seule extrémité, qui est facilement identifiable par l'embout argenté et le marquage sur le côté gauche,

voir schéma 1. Les broches d'entrée de courant continu du côté gauche nécessitent un alignement correct de la polarité, positif (+) et négatif (-). La polarité correcte est indiquée par un symbole + & - sur le tube LED Quantum X (marquage sur le côté gauche). Les broches du tube LED correspondantes doivent être alignées sur les symboles + & - estampillés sur le châssis.

Installer les nouveaux tubes LED en suivant la procédure inverse de celle décrite pour leur retrait.

### **SCHÉMA 1 – MISE EN PLACE DES TUBES LED SUIVANT LA POLARITÉ ET L'ORIENTATION CORRECTES**

- Lors de l'installation des tubes LED, s'assurer que les symboles + & - près de l'embout argenté du tube sont alignés avec les symboles + & - sur le châssis de l'appareil. L'embout argenté du tube peut être inséré dans chacune des deux douilles de maintien à condition que les symboles sont correctement alignés avec ceux du châssis de l'appareil.
- L'appareil fonctionne uniquement avec des tubes LED Quantum X gainés, 370 nm, 550 mm de long, T5



Le fabricant se réserve le droit de modifier les caractéristiques des appareils sans notification préalable.

## **VORSICHTSMAßNAHMEN**

**Alle PestWest UV-Insektenvernichter sind Geräte der Schutzklasse I. Dennoch sollten einige wichtige Sicherheitsregeln beachtet werden:**

- Schalten Sie das Gerät vor Wartungsarbeiten oder zur Reinigung grundsätzlich ab.
- Installieren Sie die Geräte nicht in Bereichen, wo gefährliche Konzentrationen entzündlicher Gase oder Stäube auftreten können.
- Die Quantum X LED-Röhren erzeugen ultraviolettes Licht im UV-A-Bereich bei einer Wellenlänge von 370 nm, die für Haut und Augen schädlich sein kann. Vermeiden Sie daher längere Aufenthalte in unmittelbarer Nähe.
- Stellen Sie sicher, dass die Erdung fachgerecht durchgeführt wurde.
- Vermeiden Sie jegliche Arbeiten an Geräten, solange diese noch eingeschaltet sind.
- Sorgen Sie dafür, dass die Wartungsarbeiten nur von gesicherten Arbeitsbühnen und Leitern aus durchgeführt werden.
- Achten Sie darauf, dass die Klebefläche nicht zu stark mit abgetöteten Insekten bedeckt ist. Wechseln Sie die Klebeflächen in regelmäßigen Abständen, je nach Fangergebnis oder mindestens alle 6-8 Wochen. Verwenden Sie beim Wechsel nur originale Klebeflächen von PestWest.
- Nur für den Innenbereich geeignet, nicht wasserdicht.
- Nicht für Scheunen, Ställe oder ähnliche Lokalitäten geeignet.
- Dieses Gerät ist nicht zur Wartung durch Personen mit eingeschränkten physischen, sensorischen oder geistigen Fähigkeiten oder mangelnder Erfahrung und Wissen bestimmt, es sei denn, sie arbeiten unter Aufsicht oder erhalten eine ausführliche Anleitung zur Wartung des Gerätes von einer Person, die für die Sicherheit verantwortlich ist.
- Halten Sie das Gerät von Kindern fern.
- Nicht für den Gebrauch von Kindern geeignet.
- Stellen Sie sicher, dass gemäß der Bestimmungen & Vorschriften zur Verkabelung, eine Netz-Trennvorrichtung integriert wird, wenn Sie das Gerät mittels einer Festverdrahtung verbinden.
- Wenn das Kabel beschädigt ist, muss es vom Hersteller, dem Distributor oder einer ähnlich qualifizierten Person ausgetauscht werden, um eine etwaige Gefährdung zu vermeiden.
- Um das attraktive Aussehen des Geräts aufrechtzuerhalten, sollte es so oft wie nötig gereinigt bzw. abgewischt werden. Benutzen Sie ein mit Wasser und passendem Reinigungsmittel getränktes Tuch. Verwenden Sie keine Scheuermittel, wie z.B. Stahlwolle oder Metallreinigungsschwämme.

## PRODUKTBESCHREIBUNG

Alle PestWest UV-Fluginsektenvernichter werden aus Materialien höchster Qualität gefertigt. Das Gehäuse besteht aus polyesterbeschichtetem Zintec-Stahl (rostbeständig) mit poliertem Aluminiumreflektor, außerdem ist eine Frontabdeckung mit Edelstahlgütegrad 304 erhältlich). Das Chameleon Sirius X ist mit einer PestWest Klebefläche und der neuesten Generation der Quantum X LED-Röhren ausgestattet. Diese LED-Röhren arbeiten mit einer Spitzenwellenlänge von 370nm und sind standardmäßig mit einer FEP-Bruchschutzbeschichtung versehen.

Die neue Quantum X LED-Röhre wird mit dem bekannten T5-Formfaktor (Glasröhre, Endkappen und Stifte) hergestellt (analog zu unseren herkömmlichen 14W T5-Leuchtstofflampen).

Die Hauptvorteile der Quantum X LED-Glühlampentechnologie sind das erweiterte Muster der Lichtverteilung und die verbesserte Energieeffizienz. Die erhöhte Fluginsektenanziehung ist zum Teil auf die Lichtverteilung der LED-Filamente zurückzuführen: im Vergleich zu den für Hochleistungs-SMD (Surface Mounted Device) LEDs typischen 120° in älteren LED-Insektenlichtfallen der ersten Generation beträgt diese hier 360°. Zudem sind LED-Filamente auch energieeffizienter als die beiden Alternativen Hochleistungs-SMD-UV-A-LEDs und herkömmliche UV-Leuchtstofflampen.

Die Quantum X LED-Röhre besteht aus 18 einzelnen LED-Filamenten. Diese sind auf einem Rahmen montiert und innerhalb einer Glasröhre hermetisch versiegelt. Die Glasröhre ist mit einem hochmodernen Gaskühlsystem ausgestattet, das herkömmlichen Wärmeableitern weit voraus ist.

Jedes dieser Filament verfügt jeweils über 24 einzelne LEDs, die auf einem transparenten Träger montiert sind. Dadurch kann die Quantum X LED-Röhre Licht in alle Richtungen ausstrahlen. Durch die Kombination aus einer 360° Lichtverteilung und weicherer Lichtintensität, die durch die hohe Anzahl an LEDs (432 pro Röhre) zustande kommt, bietet Quantum X eine überlegene Leistung beim Fluginsektenfang.

## TECHNISCHE SPEZIFIKATION

Spannung	220 - 240 V
Frequenz	50 - 60 Hz
Energieverbrauch	13,5 W
IP-Schutzart	20
Schutzklasse	1
Temperatur der Betriebsumgebung	0 bis +40°C
Typ des LED-Treibers	Konstantstromquelle
Wirkungsbereich	50-60m <sup>2</sup>
Klebefläche	135-000226 LED 21" KLEBEFLÄCHE
Röhrentyp	130-000321 Quantum X LED 370nm 550mm T5 bruchgeschützt
Befestigungsmethode	Wandbefestigung
Abmessung des Geräts in mm	H190 x B580 x T120
Gewicht	3,1 kg

## ARBEITSWEISE

PestWest UV-Fluginsektenvernichter arbeiten nach dem Prinzip, dass die meisten fliegenden Insekten vom Licht, insbesondere vom ultraviolettem Spektrum (UV-A) des Lichtes angezogen werden. Da Insekten auch nachts aktiv sind, sollte das Gerät permanent eingeschaltet bleiben, d.h. 24 Stunden täglich, 7 Tage die Woche.

## PLATZIERUNG

Die Effizienz des Gerätes kann durch die Intensität anderer Lichtquellen beeinträchtigt werden, z.B. durch Tageslicht. Montieren Sie deshalb das Gerät dort, wo der Einfluss anderer Lichtquellen am geringsten ist.

In Lebensmittelbereichen sollte das Gerät in der Nähe von, aber nicht direkt über offenen Lebensmitteln und Lebensmittelzubereitungsflächen platziert werden. Am besten locken Sie die Fluginsekten von sensiblen Bereichen weg. Beobachten Sie, wo sich die Fluginsekten am häufigsten versammeln und wenn möglich, setzen Sie Ihr Gerät in der Nähe von diesen Bereichen ein.

Platzieren Sie das Gerät in der Nähe der Haupteinflugstellen der Fluginsekten, z.B. Türen und Fenstern, besonders aber auch in der Nähe von Abfallbehältern.

Positionieren Sie das Gerät da, wo es leicht zu erreichen ist, jedoch insbesondere nicht über laufenden Maschinen, wo der Zugang erschwert oder gefährlich sein.

## INSTALLATION

Wählen Sie anhand der zuvor aufgeführten Richtlinien die optimale Position für Ihr Chameleon Sirius X aus.

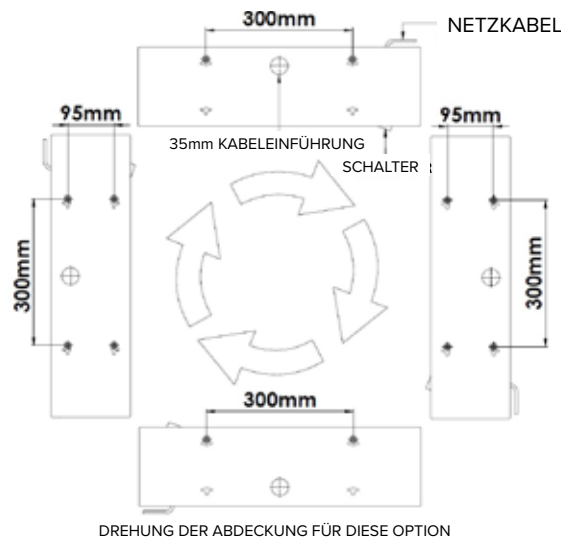
Das Gerät ist mit einem 2 Meter langen Anschlusskabel mit Stecker ausgestattet und benötigt eine 220-240V 50/60Hz Steckdose. Sollte es notwendig sein, das Netzkabel zu verlängern, so muss dies von einem fachkundigen Elektriker ausgeführt werden. Stellen Sie sicher, dass das Netzkabel nach der Montage entsprechend gesichert ist.

Das Gerät verfügt über 4 Schlüssellochschlitze auf der Rückseite, um die Wandmontage mit den mitgelieferten Schrauben und

Dübeln zu ermöglichen. Das Gerät kann entweder horizontal oder vertikal montiert werden. Somit kann das Netzkabel an der bevorzugten Geräteseite bzw. passend zur Position der zu benutzenden Steckdose austreten.

Das Gerät wird standardmäßig so montiert, dass sich der Schalter an der unteren Seite des Gehäuses befindet (alternativ entweder rechts oder links bei vertikaler Anbringung). Werden diese Montagemöglichkeiten ausgewählt, muss die vordere Abdeckung nicht entfernt und gedreht werden.

Hinweis: Bei bestimmten Ausrichtungen muss die Abdeckung möglicherweise gedreht werden, um zu verhindern, dass die Klebefläche aus dem Gerät herausfällt. Weitere Details hierzu finden Sie im Abschnitt „ROTATION DER FRONTABDECKUNG“.



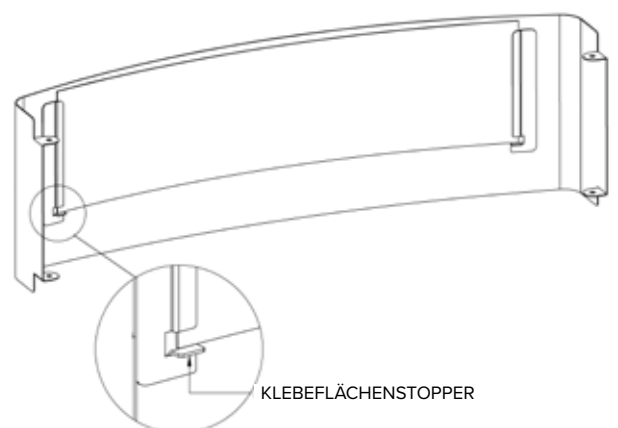
Markieren Sie die notwendigen Befestigungspunkte auf der Montagefläche mit Hilfe der beigelegten Schablone und bohren Sie die Löcher mit einem Steinbohrer mit 5.5mm Durchmesser ungefähr 40mm tief. Befestigen Sie jetzt die beigelegten Dübel und Schrauben und lassen Sie ungefähr 10mm der Schrauben abstehen. Das Gerät kann nun auf diesen Schrauben aufgehängt werden.

Ersetzen der Abdeckung ist das gegenteilige Verfahren der Entfernung.

Es kann auch von Vorteil sein, die Frontabdeckung bei der vertikalen Montage des Geräts zu drehen, z.B. wenn das Gerät in der Nähe der Ecke eines Raumes aufgehängt werden soll, damit der Zugang beim Klebeflächenwechsel nicht eingeschränkt wird.

## ROTATION DER FRONTABDECKUNG (OPTIONAL)

Lösen Sie die 4 Schrauben, die die Frontabdeckung an ihrer Halterung sichern, mit einem Pozidriv-Schraubendreher. Stellen Sie sicher, dass die Frontabdeckung so gedreht wird, dass sich der „KLEBEFLÄCHENSTOPPER“ (s. nachfolgende Abbildung) immer auf der Unterseite befindet. Andernfalls kann die Klebefläche aus dem Gerät fallen.



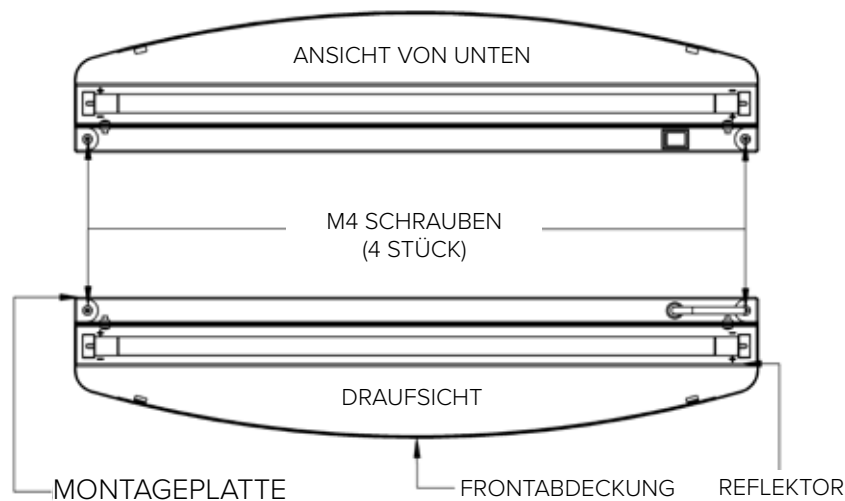


**HINWEISE ZUR FESTVERDRAHTUNG DES GERÄTES**

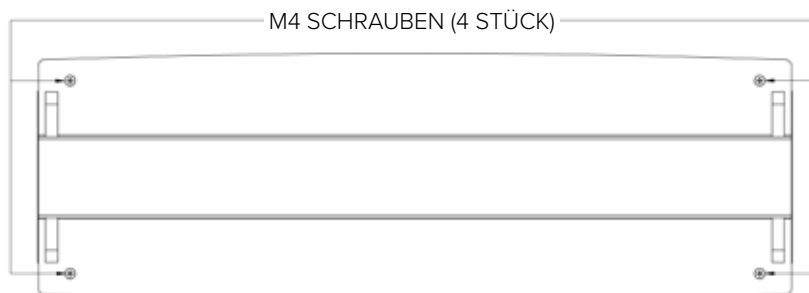
Das Gerät verfügt außerdem über die Möglichkeit der Festverdrahtung: Das Kabel der Gebäudestromversorgung kann durch eine Öffnung zur Kabeleinführung auf der Rückwand des Gerätes mit diesem verbunden werden. Zudem befindet sich ein Anschlussblock für die elektrischen Anschlüsse innerhalb des Gehäuses. Wenn diese Montageoption gewählt wird, sollte dies von einem qualifizierten Elektriker durchgeführt werden. Achten Sie darauf, dass das Gerät richtig geerdet ist.

**VORSICHT - Stellen Sie sicher, dass das Netzteil am Sicherungskasten ausgeschaltet ist und entfernen Sie die Sicherung, die normalerweise den Stromkreis schützt bzw. aufrecht erhalten würde.**

Zunächst muss das Gerät durch Entfernen von Frontabdeckung und Reflektorkomponenten auseinander gebaut werden.



Lösen Sie die 4 Schrauben, die die Frontabdeckung an ihrer Halterung sichern, mit einem Pozidriv-Schraubendreher. Die Abdeckung kann jetzt entfernt werden. Legen Sie diese mit der Vorderseite nach unten auf eine weiche, schmutzfreie Oberfläche, um Kratzer zu vermeiden. Entfernen Sie nun beide LED-Röhren und legen Sie diese zur Seite.



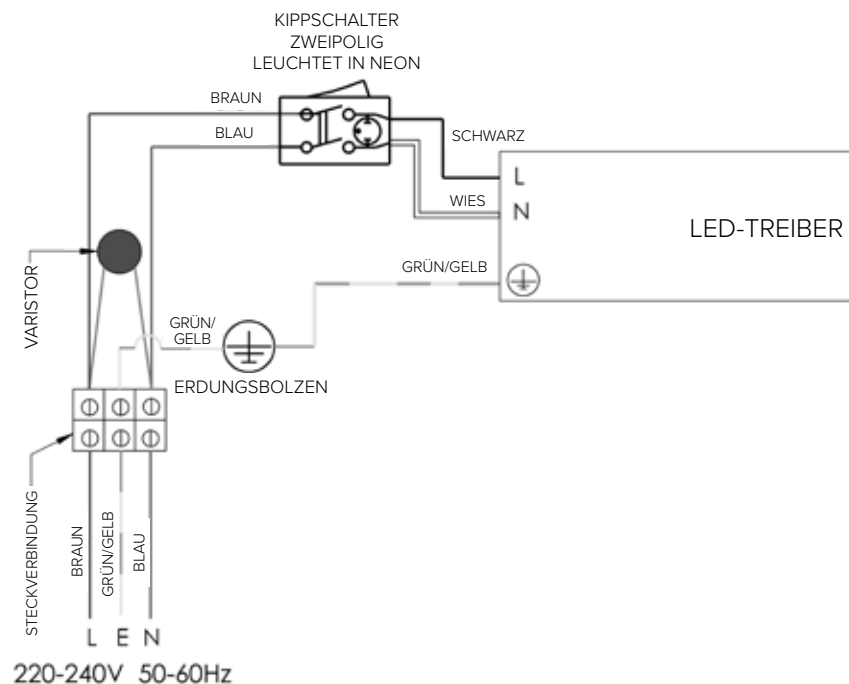
Lösen Sie anschließend die 4 verbleibenden Schrauben, die den Reflektor sichern.

Der Reflektor kann dann bewegt werden, um Zugang zur internen Verdrahtung zu erhalten.

Lösen Sie die kleinen Schrauben (die Erdungskabel, sowohl als auch das stromführende und neutrale Kabel in Position halten, welche wiederum zum Netzkabel hinführen). Ziehen Sie diese Kabel danach einzeln aus dem Steckerblock heraus. Das Netzkabel kann nun durch Komprimieren der Zugentlastungsbuchse aus dem Gerät entfernt werden. Dieses Kabel sollte sicher entsorgt werden.

Die Rückseitenplatte mit der Öffnung zur Kabeleinführung kann jetzt entfernt werden, indem ein Flachkopfschraubendreher in den Schlitz dieser Öffnung eingesteckt und vorsichtig mit einem Hammer auf diesen geklopft wird. Achtung: Übermäßige Krafteinwirkung kann die Montageplatte verformen! Sobald der Rand der Öffnung

gebogen ist, können Sie dann die Ecke mit der Zange greifen und drehen, bis die Sicherungslaschen losbrechen. Wenn die Kanten der Öffnung scharf sind, sollten sie vorsichtig glatt gefeilt werden, um sicherzustellen, dass keines der Kabel beschädigt werden kann, wenn es durchgeführt wird.



### SCHALTPLAN

Um das Gerät neu zu verkabeln, sollte die Festverdrahtung durch die Kabeleinführung in das Gehäuse gelegt werden. Überprüfen Sie, ob das Gerät vollständig geerdet und das Erdungskabel gesichert ist, bevor Sie mit der Installation fortfahren. Ist das Gerät einmal geerdet, können die stromführenden und neutralen Kabel wieder mit dem Anschlussblock verbunden werden. Stellen Sie durch festes Ziehen an den Kabeln sicher, dass sie alle ausreichend befestigt sind. Weder eines der Kabel, die zum LED-Treiber hinführen, noch das Kabel zwischen Verbindungsblock und Schalter, dürfen manipuliert werden.

Sobald das Gerät sicher neu verdrahtet ist, kann es wieder zusammengebaut werden. Die Montage ist das gegenteilige Verfahren der Demontage.

### REINIGUNG & WARTUNG

Um das attraktive Erscheinungsbild der Geräte zu erhalten, sollten sie so oft wie nötig gereinigt bzw. abgewischt werden. Verwenden Sie dazu ein angefeuchtetes Tuch mit etwas Haushaltsreiniger. Benutzen Sie keine Kratzschwämme oder ähnliche Scheuermittel.

Die Quantum X LED-Röhren im Chameleon Sirius X sollten mindestens alle 3 Jahre gewechselt werden. Es wird empfohlen, das Installationsdatum für zukünftige Referenzen zu erfassen.

Die Quantum X LED-Röhren bestehen zwar aus Glas, haben aber eine Bruchschutzmantelung, die den Austritt von Splittern bei Glasbruch verhindert und sind somit für den Einsatz in glasfreien Zonen geeignet. Diese sog.

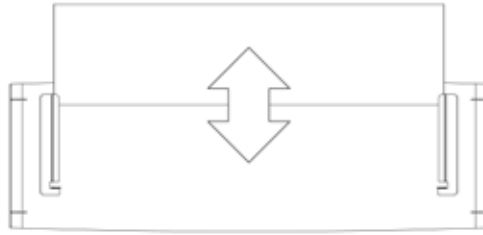
FEP-Beschichtung ist von marktführender Qualität und temperaturbeständig, wobei sie zudem eine hohe UV-Lichtdurchlässigkeit aufweist.

### KLEBEFLÄCHENWECHSEL

Schalten Sie das Gerät vor Wartungsarbeiten grundsätzlich ab.

Wechseln Sie die Klebefläche, wenn sie voll ist oder mindestens alle 6-8 Wochen. Wir empfehlen eine regelmäßige Sichtkontrolle der Klebeflächen, da sie bei normalem Betrieb nicht sichtbar sind.

Entfernen Sie die alte Klebefläche, indem Sie diese aus den Führungen auf der Rückseite der Abdeckung heben..

**(RÜCKANSICHT DER ABDECKUNG ZUR DARSTELLUNG DER POSITION VON KLEBEFLÄCHE UND FÜHRUNGEN)**

Um maximale Effizienz zu gewährleisten, empfehlen wir Ihnen immer das Original-Zubehör von PestWest zu verwenden. Um sich der Form des Chameleon Sirius X optimal anzupassen, hat die Klebefläche eine mittige Perforation. Die Klebefläche muss entlang dieser Perforation abgetrennt werden, sodass beide Teile jeweils als Klebefläche für dieses Gerät verwendet werden können.

Entfernen Sie das Schutzpapier und schieben Sie die Klebefläche nun in die Führungen auf der Rückseite der Abdeckung (zuerst die Kante, an der sich die Perforationslinie befand). Stellen Sie sicher, dass die klebrige Seite zu den LED-Röhren gerichtet ist.

**ZUBEHÖR**

Klebeflächentyp: 135-000226 LED 21" KLEBEFLÄCHE

Röhrentyp: 130-000321 (Quantum X LED, 370nm, 550mm, T5, bruchgeschützt)

Um eine sichere Anwendung und optimale Leistung zu gewährleisten, nutzen Sie bitte nur die oben genannten originalen Zubehörteile von PestWest.

Alle PestWest® Geräte haben eine 3-jährige Garantie (ausgenommen Zubehör).

**AUSTAUSCH DER LED-LAMPEN**

Schalten Sie die Geräte immer vor jeglichen Wartungsarbeiten aus. Es gilt zu beachten, dass LED-Röhren wesentlich sensibler als UV-Röhren sind, d.h. dass das Nicht-Trennen des Geräts vom Strom beim Entfernen oder Einsetzen einer Röhre die LED-Filamente dauerhaft beschädigen kann, wodurch dann die LED-Röhre insgesamt irreparabel beschädigt wird.

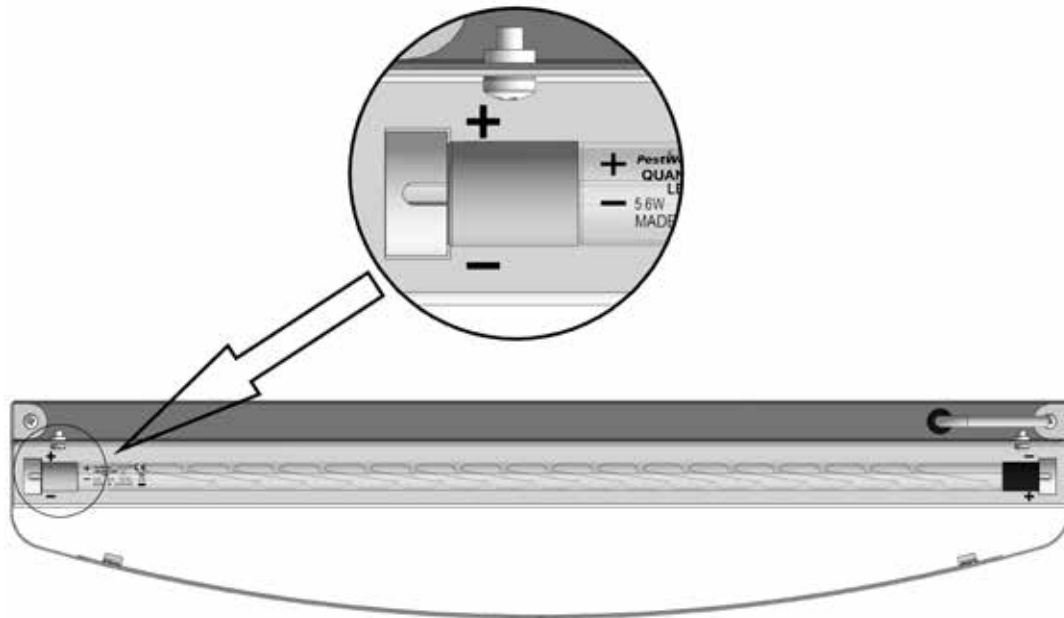


Schalten Sie die Stromversorgung des Gerätes aus, bevor Sie mit jeglichen Arbeiten beginnen. Drehen Sie jede LED-Röhre um 90°, bis 2 Klicks zu hören sind. Die LED-Röhren können dann durch Herausschieben aus den Lampenhaltern entnommen werden. **ACHTUNG** – Quantum X LED-Röhren werden mittels Gleichstrom (D.C. = Direct Current), d.h. nur an einem Ende angetrieben. Dieses Ende ist anhand der silbernen Endkappe und dem Aufdruck auf der linken Seite leicht zu erkennen, siehe nachfolgende Abbildung. Das korrekte Einsetzen der LED-Lampenstifte erfordert die richtige Polarität: positiv (+) und negativ (-). Bitte beachten Sie, dass die richtige Polarität mit einem + & - Symbol auf der Quantum X LED-Röhre gekennzeichnet ist, sodass Sie die LED-Lampenstifte der nachfolgenden Abbildung entsprechend einsetzen können.

Das Einsetzen neuer LED-Röhren ist das gegenteiligen Verfahren des Entfernens.

**ABBILDUNG - EINBAU DER LED-RÖHREN IN DER RICHTIGEN POLARITÄT UND AUSRICHTUNG**

- Stellen Sie beim Einsetzen stets sicher, dass die aufgedruckten + & - Symbole neben der silbernen Endkappe der LED-Röhre entsprechend der + & - Symbole innerhalb des Gerätegehäuses ausgerichtet werden.
- Die LED-Röhren funktionieren in keiner anderen Konfiguration.
- Dieses Gerät kann ausschließlich mit Quantum X LED 370nm 550mm T5 Röhren betrieben werden.



Der Hersteller behält sich das Recht vor, die Modellspezifikationen ohne vorherige Ankündigung zu ändern.

## **ŚRODKI OSTROŻNOŚCI**

**Wszystkie lampy PestWest® są w pełni izolowane (Urządzenia klasy I), mimo tego należy zachować podstawowe środki ostrożności:**

- Wyłączyć urządzenie przed serwisowaniem lub czyszczeniem.
- Trzymać poza zasięgiem dzieci.
- Urządzenie nie jest przeznaczone do użytku przez dzieci.
- W lampie Qualis® X stosowane są świetlówki Quantum X LED emitujące promieniowanie ultrafioletowe o długości około 370nm, które może być szkodliwe dla skóry i oczu. Unikać dłuższego przebywania w bliskiej odległości od lampy.
- Nie instalować tam, gdzie istnieje niebezpieczeństwo gromadzenia się pyłów, gazów wybuchowych.
- Upewnić się czy urządzenie jest właściwie uziemione.
- Unikać pracy z urządzeniem (np konserwacji) jeśli jest podłączone do sieci elektrycznej.
- Urządzenie Chameleon Sirius X może być użytkowane przez osoby o zaburzeniach fizycznych, emocjonalnych i umysłowych, nie mające doświadczenia i nie znające produktu, pod warunkiem, że odbywa się to pod nadzorem lub otrzymali oni instrukcje dotyczące posługiwania się urządzeniem i są oni świadomi możliwych zagrożeń.
- Jeśli przewód zasilania jest uszkodzony, powinien być wymieniony przez producenta, autoryzowany serwis lub osobę posiadającą odpowiednie kwalifikacje, aby uniknąć zagrożenia bezpieczeństwa.
- Jeśli urządzenie jest podłączane bezpośrednio do sieci elektrycznej należy zastosować rozłącznik i instalacja powinna odbyć się zgodnie z obowiązującymi przepisami i normami w zakresie podłączania do sieci elektrycznej.
- Upewnić się, czy operator ma właściwe i bezpieczne miejsce pracy, w czasie działań przy lampie.
- Nie dopuszczać do całkowitego zapełnienia powierzchni lepnej martwymi owadami. W regularnych odstępach czasu, w zależności od ilości wyłapywanych owadów, wymieniać lepy, jednak nie rzadziej niż co 8 tygodni. Upewnić się, że zostały wymienione na właściwe lepy PestWest.
- Lampa Chameleon Sirius X nie jest wodoodporna i jest przeznaczona tylko do użytku w pomieszczeniach.
- Urządzenie nie jest przeznaczone do stosowania w stodołach, stajniach i podobnych obiektach.
- Aby zapewnić właściwy wygląd lampy należy ją czyścić tak często jak to jest konieczne. Używać ściereczki nasączonej wodą z detergentem lub specjalistycznym środkiem czyszczącym. Nie używać do czyszczenia agresywnych środków czyszczących i materiałów ściernych.

## OPIS PRODUKTU

Wszystkie lampy owadobójcze PestWest wykonane są z materiałów najwyższej jakości. Lampa Chameleon Sirius X jest wykonana z ocynkowanej odpornej na korozję blachy stalowej pokrytej poliestrem, i jest również dostępna w wersji ze stali nierdzewnej typu 304. Panel odbłaskowy jest wykonany z aluminium. W lampie jest wykorzystany pełnowymiarowy lep PestWest oraz świetlówki nowej generacji Quantum X LED Filament o długości fali 370nm. Świetlówki są zabezpieczone specjalną folią ochronną FEP

Świetlówki nowej generacji Quantum X LED Filament mają podobną konstrukcję (rurka szklana, trzonki z bolcami) jak nasze konwencjonalne fluorescencyjne świetlówki Quantum typu 14W T5.

Głównymi zaletami technologii świetlówek Quantum X LED Filament są: poszerzony zakres rozkładu światła oraz większa energooszczędność. Świetlówki LED Filament są bardziej atrakcyjne dla owadów niż świetlówki LED wykorzystywane w starszych lampach pierwszej generacji. Związane jest to z lepszą emisją światła przez świetlówki LED Filament, która wynosi 360° w porównaniu z tylko 120° świetlówek urządzeń elektrycznych do montażu powierzchniowego (SMD). Świetlówki LED Filament są również bardziej energooszczędne niż świetlówki UV-A LED typu SMD i tradycyjne świetlówki fluorescencyjne.

Świetlówka Quantum X LED składa się z 18 odrębnych filamentów LED zamocowanych na ramie i hermetycznie zamkniętych w szklanej rurce z unikatowym systemem chłodzenia Hel LED, który jest zdecydowanie bardziej efektywny niż tradycyjny system.

Każdy filament LED posiada 24 diody LED, które są umocowane na przezroczystym podłożu, dzięki czemu świetlówka Quantum X LED emituje światło we wszystkich kierunkach. Połączenie emisji światła 360° z łagodniejszym natężeniem światła emitowanym przez zdecydowanie więcej diod LED (432 w każdej świetlówce) sprawia, że świetlówka Quantum X doskonale wabi owady.

## DANE TECHNICZNE

Napięcie	220 - 240 V
Częstotliwość	50 - 60 Hz
Pobór mocy	13,5 W
Stopień ochrony	IP 20
Klasa produktu	Klasa 1
Temperatura otoczenia w miejscu pracy	0 do +40°C
Typ sterownika LED	Prąd stały
Obszar pokrycia	50-60 m <sup>2</sup>
Typ lepu	135-000226 WKŁAD LEPOWY 21" LED
Typ świetlówki LED	LED 130-000321 Quantum X LED 370nm 550mm T5 Nierozpryskowa
Sposób mocowania	Ścienny
Wymiary, mm	H190 x W580 x D120
Waga	3,1 kg

## ROZPAKOWYWANIE URZĄDZEŃ

Każda lampa jest dokładnie sprawdzana i pakowana przed opuszczeniem naszej fabryki. Przed rozpakowaniem urządzenia należy obejrzeć opakowanie w celu odszukania ewentualnych uszkodzeń powstałych podczas transportu. Po rozpakowaniu należy się upewnić, czy wszystkie elementy opakowania zostały wyjęte z urządzenia.

## SPOSÓB DZIAŁANIA:

Lampy owadobójcze działają głównie wykorzystując funkcje wabiące świetlówek UV – promieniowanie ultrafioletowe – oraz jego spektrum. Efektywność lamp może zostać zaburzona poprzez intensywność innych źródeł światła, szczególnie światła dziennego (zobacz "Umiejscowienie"). Lampy owadobójcze powinny być włączone przez 24 godziny na dobę (w nocy owady są nadal aktywne, natomiast ograniczony jest wpływ innych źródeł światła).

## OGOLNE ZASADY UMIEJSCOWIENIA LAMP

Lampy owadobójcze powinny być umieszczane w taki sposób aby maksymalnie ograniczyć wpływ innych źródeł światła, toteż nie należy umieszczać ich bezpośrednio przy oknach. W pomieszczeniach, gdzie jest żywność, lampy należy montować blisko, ale nie bezpośrednio nad odkrytą żywnością, najlepiej tak aby odciągać owady od miejsc przygotowywania żywności. Należy dokładnie obserwować miejsca gromadzenia się owadów i w miarę możliwości umieszczać lampy w tych miejscach lub blisko nich. Lokować lampy w pobliżu źródeł napływu owadów do pomieszczeń – najczęściej są to drzwi i okna, miejsca składowania odpadów i śmieci.

Instalować urządzenia w miejscach łatwo dostępnych (prosta wymiana lepów), gdzie nie ma szlaków komunikacyjnych (np. ruchu wózków widłowych). Miejsca zainstalowania lamp powinny być łatwo dostępne, nie bezpośrednio nad pracującymi maszynami, gdzie dostęp do nich może być utrudniony lub niebezpieczny.

## INSTALACJA

Wybrać optymalną lokalizację lampy w pomieszczeniu za pomocą wskazówek podanych w rozdziale Umiejscowienie.

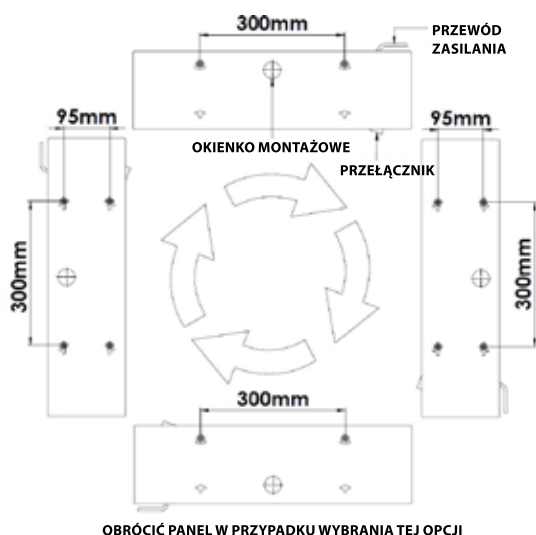
Lampy wyposażone są w 2 metrowy przewód, na końcu którego znajduje się wtyczka elektryczna. Urządzenia zasilane są napięciem 220-240V 50-60Hz. Jeśli konieczne jest wydłużenie przewodu powinien to zrobić doświadczony elektryk. Należy pamiętać o odpowiednim zabezpieczeniu przewodu elektrycznego.

Lampa Chameleon Sirius X jest mocowana na ścianie. Na tylnym panelu urządzenia znajdują się cztery otwory za pomocą których można łatwo przymocować lampę do ściany (śruby w załączeniu). Urządzenie można zamocować poziomo lub pionowo w każdej pozycji, co pozwala wyprowadzić przewód zasilania z tej strony, z której to będzie najbardziej wygodne (na przykład ze względu na lokalizację gniazdka).

Standardowa wersja nowej lampy umożliwia mocowanie poziome (przełącznik znajduje się poniżej obudowy lampy) lub pionowo w każdej pozycji. Jeśli wybrano jedną z powyższych opcji montażu nie ma potrzeby zdejmować panel przedni.

Uwaga: w przypadku niektórych pozycji montażu trzeba będzie obrócić panel przedni, aby wykluczyć wypadanie wkładu lepowego z lampy. W celu uzyskania szczegółowych informacji należy zapoznać się z rozdziałem OBRACANIE PANELU PRZEDNIEGO.

Przewód zasilania może być poprowadzony w każdym kierunku. W przypadku mocowania poziomego wystarczy wykorzystać 2 otwory mocujące, natomiast w przypadku mocowania pionowego - 4 otwory.



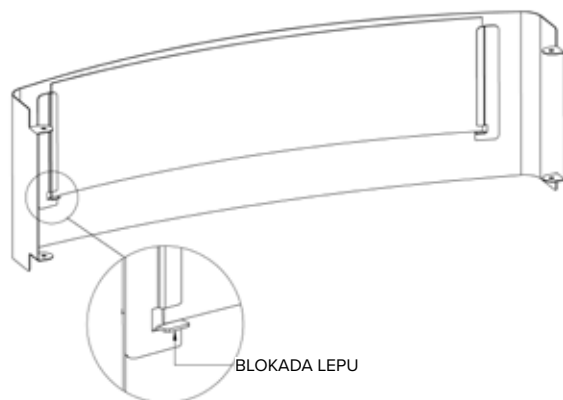
Zaznaczyć na ścianie niezbędne punkty w miejscu montowania lampy (skorzystać z załączonego szablonu). Wywiercić otwory głębokości około 4cm za pomocą wiertła 5,5mm. Umieścić kołki w otworach, następnie wkręcić śruby w taki sposób, aby wystawały one ze ściany na około 10mm. Zawiesić urządzenie na śrubach.

Uwaga: Jeżeli ściana jest wykonana z karton gipsu czy podobnego materiału należy upewnić się, że urządzenie będzie umocowane w sposób bezpieczny (odpowiednie śruby i wkręty) i że ściana wytrzyma ciężar lampy.

Po zamocowaniu lampy należy usunąć papier ochronny z wkładu lepowego.

**OBRACANIE PANELU PRZEDNIEGO (OPCJONALNIE)**

Wykręcić 4 wkręty mocujące panel przedni za pomocą śrubokrętu. Należy upewnić się, że panel obraca się w taki sposób, że „blokada wkładu” na prowadnicach znajduje się w dolnej części lampy. W innym przypadku wkład lepowy będzie wypadał z lampy.



Ponowne założenie panelu odbywa się w odwrotnej kolejności do procedury jego zdjęcia.

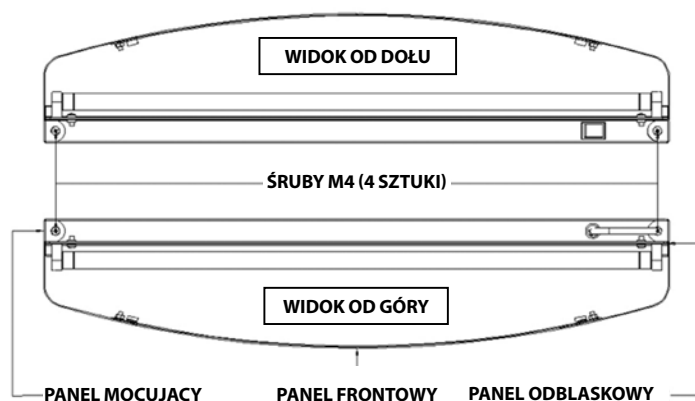
Zalecamy odpowiednio wcześniej przemyśleć ewentualną potrzebę obrócenia panelu przedniego również przy instalacji pionowej, na przykład jeśli lampa będzie zawieszona blisko rogu pokoju, co może w przyszłości ograniczać możliwości swobodnej wymiany wkładu lepowego.

**PODŁĄCZENIE DO SIECI ELEKTRYCZNEJ**

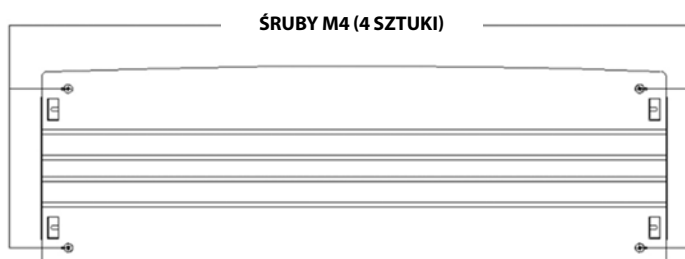
Istnieje również możliwość podłączenia lampy bezpośrednio do kabli elektrycznych w ścianie w miejscu gdzie będzie mocowana lampa. Z tyłu urządzenia znajduje się okienko montażowe przez które można się dostać do bloku zacisków. W przypadku tego typu podłączenia podłączony przewód należy odłączyć od lampy. Całą procedurę powinien wykonać doświadczony elektryk. Upewnić się, że urządzenie jest właściwie uziemione.

**UWAGA - Upewnić się, że dopływ prądu jest wyłączony w skrzynce z bezpiecznikami i usunąć bezpiecznik lub przerywacz prądu zabezpieczający obwód.**

Najpierw należy rozebrać urządzenie zdejmując zarówno panel frontowy jak i panel odblaskowy.



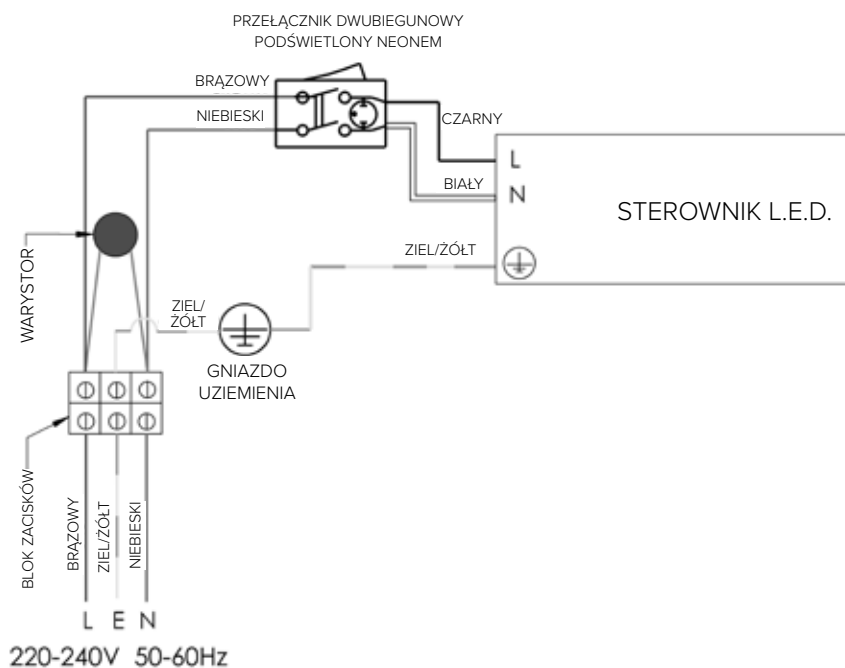
Za pomocą śrubokręta wykręcić 4 śruby mocujące panel frontowy i zdjąć panel. Położyć panel na miękkiej czystej powierzchni. Wyjąć obie świetlówki LED.





Następnie wykręcić 4 pozostałe śruby zabezpieczające panel odblaskowy. Można teraz zdjąć panel odblaskowy. Wykręcić małe śrubki znajdujące się na bloku zacisków zabezpieczające przewody fazowy, neutralny i uziemienia z przewodu zasilania i wyciągnąć je z bloku. Przewód zasilania można wyjąć z lampy dociskając odgiętki. Przewód należy odpowiednio zutylizować.

Teraz można usunąć okienko montażowe wstawiając płaski śrubokręt w jedno z trzech wyznaczonych nacięć i delikatnie wbijając je młotkiem. Nie uderzać zbyt mocno, gdyż może to spowodować zdeformowanie panelu. Brzeg okienka zacznie się wyginać i, jeśli trzeba, można uchwycić go za pomocą kombinerek i następnie wykręcać aż zatrzaski zabezpieczające się złamią. Jeśli brzegi okienka montażowego będą ostre należy je delikatnie przeszlifować, żeby nie uszkodzić później kabli.



### SCHEMAT ELEKTRYCZNY

W celu zmiany okablowania należy przepuścić kable przez okienko montażowe i podłączyć kable do bloku zacisków zgodnie ze schematem powyżej (L - fazowy, N - neutralny, E - uziemienie). Upewnić się, że urządzenie jest odpowiednio uziemione i kable są zamocowane właściwie, pociągając je do siebie. Nie należy pracować z przewodami wychodzącymi ze Startera LED LUB znajdującymi się pomiędzy blokiem zacisków a przełącznikiem.

Po zakończeniu zmiany okablowania urządzenie można ponownie złożyć poprzez wykonanie wyżej opisanej procedury w odwrotnej kolejności.

### CZYSZCZENIE I KONSERWACJA

Dla osiągnięcia atrakcyjnego wyglądu lamp, należy je czyścić i myć, tak często jak jest to konieczne. Używać ściereczki nasączonej wodą z odpowiednim detergentem. Nie używać do czyszczenia materiałów ściernych.

Świetlówki Quantum X LED w lampie Chameleon Sirius X powinny być wymieniane co najmniej raz na trzy lata. Zalecamy zanotować datę instalacji lampy.

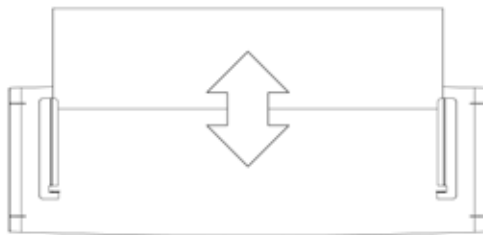
Świetlówki Quantum X LED wykonane są ze szkła i specjalnej powłoki. Nierozpryskowe świetlówki Quantum X LED stanowią skuteczne zabezpieczenie fragmentów szkła w przypadku uszkodzenia świetlówek, gdyż wykonane są z najwyższej jakości materiałów, wykorzystując materiał FEP, odpornych na promieniowanie UV i temperaturę otoczenia oraz zapewniające doskonałą przepuszczalność światła UVA.

### WYMIANA WKŁADÓW LEPOWYCH

Wyłączyć lampę przed przeprowadzeniem serwisu.

Lepy powinny być wymieniane w przypadku zapełnienia, najrzadziej co 8 tygodni. Upewnić się, że zostały wymienione na właściwe lepy PestWest. Zalecane są regularne inspekcje stanu lepu, gdyż wkład lepowy jest niewidoczny przy zwykłej obserwacji lampy.

Zużyty wkład lepowy należy wyciągnąć z lampy.



### **(WIDOK Z TYŁU - UMIEJSCOWIENIE I WYMIANA WKŁADU LEPOWEGO)**

Dla zapewnienia maksymalnej efektywności i skuteczności lampy Chameleon Sirius X należy zawsze stosować lepy PestWest® LED21". Lep PestWestR LED21" został specjalnie opracowany wraz ze świetłówką PestWest Quantum X LED dla zapewnienia najlepszych rezultatów. Zastosowanie jakiegokolwiek innego lepu będzie miało negatywny wpływ na skuteczność lampy. W modelu Chameleon Sirius X stosowany jest lep ze specjalną linią perforacyjną znajdującą się na środku lepu. Przed wymianą wkładu należy oderwać wkład wzdłuż linii perforacyjnej.

Drugą połowę lepu należy zostawić dla kolejnej wymiany.

Po usunięciu papieru ochronnego należy włożyć wkład lepowy do lampy, wkładając od strony gdzie była linia perforacyjna. Upewnić się, że powierzchnia lepna jest skierowana w kierunku świetlówek.

### **CZĘŚCI ZAMIENNE**

Wkład lepowy: 135-000226 (LED 21" WKŁAD LEPOWY - 6 sztuk w opakowaniu)

Świetlówka LED: 130-000321 (Quantum X LED370nm 550mm T5 Nierozpryskowa)

W celu zapewnienia efektywnego i bezpiecznego działania lampy należy stosować wyłącznie powyższe oryginalne części. Wszystkie lampy owadobójcze PestWest posiadają 3-letni okres gwarancji (nie dotyczy świetlówek i lepów).



#### **WYMIANA ŚWIETŁÓWEK LED**

Wyłączyć lampę przed serwisowaniem. Należy mieć na uwadze, że świetlówki LED działają inaczej niż świetlówki fluorescencyjne i w przypadku nie odłączenia zasilania w trakcie wyjmowania lub wkładania świetlówki istnieje prawdopodobieństwo trwałego uszkodzenia świetlówki LED. Taka świetlówka LED nie nadaje się do ponownego użytku i naprawy.



Wyłączyć lampę przed przeprowadzeniem serwisu. Chwycić każdą świetlówkę LED i obrócić o 90°. Po usłyszeniu dwóch „kliknięć”, świetlówkę LED można wysunąć z lampy.

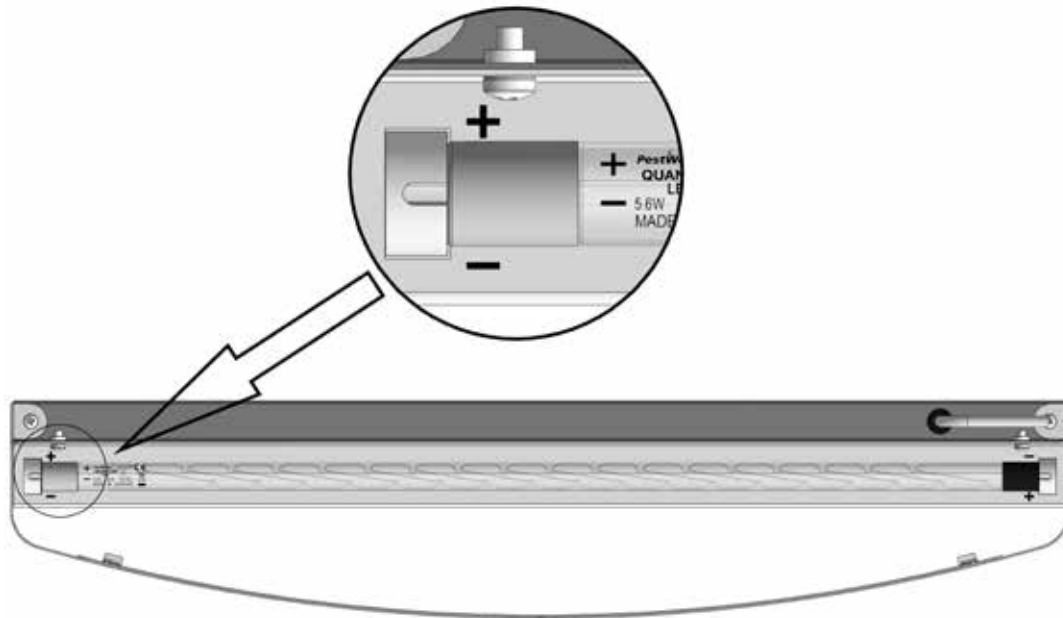
**UWAGA** - Świetlówki Quantum X LED są zasilane prądem stałym (D.C.) tylko z jednej strony. Łatwo można to zauważyć dzięki srebrnemu trzonkowi świetlówki i nadrukowi po lewej stronie (LHS), patrz Rysunek 1. Bolce z prądem stałym (LHS) powinny być umieszczone według prawidłowej polaryzacji: biegunowość dodatnia (+) i biegunowość ujemna (-).

Należy zwrócić uwagę, że prawidłowa polaryzacja jest oznaczona za pomocą symboli (+) i (-) na świetłowce Quantum X LED (nadruk LHS) i odpowiednie bolce świetlówek LED powinny być włożone zgodnie z oznaczeniem (+) i (-) na obudowie lampy, znajdującym się po lewej stronie lampy, obok opraw. Patrz Rysunek 1.

Wymiana nowych świetlówek LED odbywa się poprzez odwrócenie procedury wyjmowania starej świetlówki.

**RYSUNEK 1 - ZAKŁADANIE ŚWIETŁÓWEK LED ZGODNIE Z PRAWIDŁOWĄ POLARYZACJĄ**

- Podczas wymiany świetlówki należy upewnić się, że trzonek koloru srebrnego jest wkładany do gniazda po lewej stronie (LHS) i symbole (+) i (-) są zgodne. Symbole (+) i (-) na świetlówce i w lampie powinny być zgodne.
- Urządzenie działa wyłącznie ze świetlówkami Quantum X LED 370nm 550mm T5.



Producent zastrzega sobie prawo zmiany danych technicznych bez wcześniejszego uprzedzenia.

## FÖRSIKTIGHETSÅTGÄRDER

Alla PestWest-fällor är helt isolerade, i klass I-utförande, dock bör försiktighetsåtgärder iakttas:

Stäng av maskinen före service eller rengöring

- Installera ej där koncentrationer av brandfarliga gaser eller damm kan förekomma
- Quantum X LED-lampor producerar ultraviolett ljus i UV-A-spektrum vid 370nm våglängd, vilket kan vara skadligt för hud och ögon, undvik långvarig exponering på nära håll.
- Se till att enheten är ordentligt jordad
- Undvik att arbeta på maskinerna medan de fortfarande är anslutna till elnätet
- Se till att operatörerna har en adekvat och säker arbetsplattform vid arbete på maskinerna
- Låt inte limskivan bli överfylld med döda insekter. Byt limskiva med jämna mellanrum efter behov eller åtminstone var 6-8 Vecka. Se till att ersättande limskiva är av samma fabrikat(PestWest)
- Chameleon Sirius X är designad för inomhusbruk endast och är ej vattentät
- Ej lämplig för användning i lador, stall eller liknande platser
- Förvara utom räckhåll för barn
- Se till att en fränkopplingsanordning är monterad vid anslutning till fast ledning i enlighet med ledningsreglerna
- Om nätsladden är skadad måste den bytas ut av tillverkaren serviceombud eller liknande kvalificerade personer för att undvika fara
- För att behålla enheternas tilltalande utseende, torka av och rengör så ofta som krävs. Använd en trasa fuktad med vatten och diskmedel eller ett passande rengöringsmedel. Använd inte skursvampar eller slipmedel.

## PRODUKTBESKRIVNING

Alla PestWest ljusfällor är gjorda av material av högsta kvalitet. Karossen är polyesterpulverlackerad zintec-stål (rostbeständigt) med en polerad aluminiumreflektor (Rostfritt stål 304 Grade front cover finns också). Chameleon Sirius X har en PestWest limskiva och är utrustad med nästa generations Quantum X LED-glödtrådslampor med en toppvåglängd på 370 nm belagd med FEP splitterbeständig film som standard. Den nya Quantum X LED-glödlampan är gjord med den välbekanta T5-formfaktorn (glasrör, gavel och stift) som används i våra konventionella 14W T5 fluorescerande kvantlampor.

De främsta fördelarna med Quantum X LED-glödlampsteknologi är den utökade ljusfördelningen och den förbättrade energieffektiviteten. Ökad flugattraktion beror delvis på LED-filamentens ljusfördelning, som är runt 3600 jämfört med endast 1200 som är typiskt för SMD-lysdioder (Surface Mounted Device) med hög effekt som finns i äldre första generationens LED-insektsljusfällor. LED-trådar är också mer energieffektiva.

Quantum X LED-glödtrådslampan består av 18 individuella LED-glödtrådar monterade på en ram och är hermetiskt förseglad i ett glasrör med ett toppmodernt gaskylningssystem, som är vida överlägset traditionella lösningar.

Varje glödtråd har 24 individuella lysdioder som är monterade på ett transparent substrat, vilket möjliggör Quantum X LED-lampa för att ge ljus åt alla håll. Kombinationen av 360-gradig ljusfördelning och att den mjukare ljusintensiteten produceras av mycket fler lysdioder (432 per lampa) ger Quantum X överlägsen flugfångst-effektivitet

## TEKNISK SPECIFIKATION

Spänning	220-240V
Frekvens	50-60Hz
Strömförbrukning	13.5W
Intrångsskyddsklass	20
Klassificering	Klass 1
Omgivningstemperaturer	till +40°C
LED-drivrutin typ	konstant ström
Täckningsområde	50m <sup>2</sup>
Sticky board	135-000226 LED 21" Sticky BOARD
LED-lampa typ	130-000321 Quantum X LED 370nm 550mm T5 Splitterskyddad
Monteringsmetod	Väggmonterad
Enhet Mått mm	H190 x B580 x D120
Vikt	3,1 kg

## UPPACKNING AV DIN ENHET

Varje enhet inspekteras noggrant och packas innan den lämnar vår fabrik. Innan du kasserar ytterkartongen, titta efter uppenbara bevis på transportskador. Ta bort enheten och var särskilt uppmärksam på att ta bort all packningsmaterial innan du installerar enheten.

## DRIFTSLÄGE

Elektriska ljusfällor fungerar enligt principen att de flesta flygande insekter attraheras av ljus, särskilt till ultraviolett ljus(UV). Eftersom insekter fortfarande är aktiva och flyger på natten, bör fällorna lämnas i drift 24 timmar om dygnet.

## PLACERING

Enhetens effektivitet kan påverkas av intensiteten hos andra ljuskällor, t.ex. dagsljus. Montera därför enheten där konkurrensen från andra ljuskällor är så liten som möjligt. För matområden, montera nära, men inte direkt över utsatt mat eller förberedelseytor (helst för att locka bortflugor från känsliga områden snarare än att locka mot dem). Observera var flugor tenderar att samlas och om möjligt, placera din flugfälla i eller nära det området.

Placera fällan där den lätt kan nås runt huvudhöjd; inte över fungerande maskiner där åtkomst kan vara svårt eller farligt.

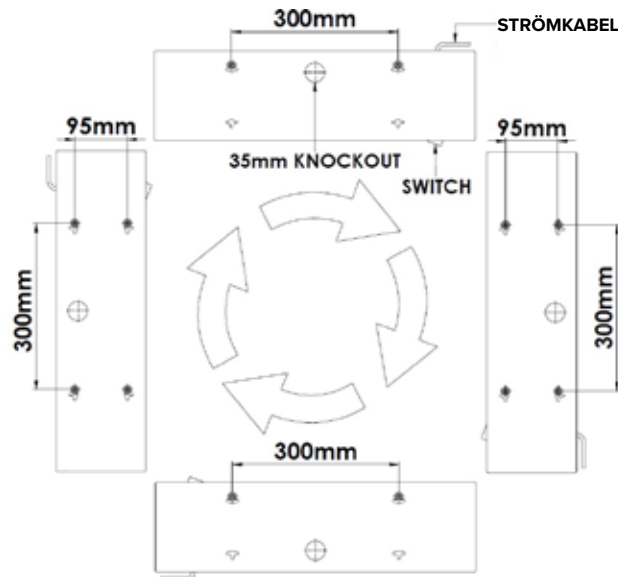
## INSTALLATION

Välj den optimala positionen för Chameleon Sirius X med hjälp av riktlinjerna i avsnittet "PLACERING". PestWest Chameleon Sirius X levereras med en 2 meter lång nätsladd och fungerar med en 220-240V 50-60Hz matning. Om det är nödvändigt att förlänga nätsladden måste en kompetent elektriker utföra arbetet. Se till att sladden är ordentligt fastsatt när den väl har installerats.

Enheten har 4 nyckelhål på den bakre panelen för att möjliggöra väggmontering med hjälp av de medföljande skruvarna och pluggarna. Enheten kan monteras antingen horisontellt eller vertikalt, i valfri riktning, vilket gör att nätsladden kan dras ur enheten på vilken sida som föredras, för att bäst passa eluttagets placering och ge en snygg installation. Enheten levereras som standard för att monteras med strömbrytaren under huvudchassit, eller vertikalt i endera riktningen. Vid vanlig montering finns inget behov av att ta bort och rotera frontkåpan.

OBS: I vissa riktningar kan locket behöva roteras för att förhindra att limskivan trillar ur enheten.

Se "FRAMKÅPET ROTATION" för instruktioner. Endast 2 nyckelhål bör användas för horisontell montering 4 Nyckelhål ska användas vid vertikal montering

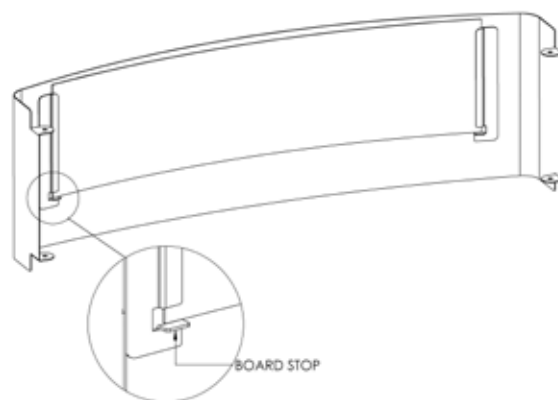


ROTERA FRONTEN FÖR DETTA ALTERNATIV

Markera de nödvändiga fästpunkterna på monteringsytan med hjälp av den medföljande mallen. Borra till ett djup av 40 mm med en 5,5 mm borrar. Placera plastpluggarna i väggen och skruva sedan in skruvarna i plastpluggarna lämna skruvhuvudet cirka 10 mm från väggen. Enheten kommer nu att haka över skruvarna med hjälp av nyckelhålsfunktionen. OBS: Om väggen är av gipsskiva eller är regelavdelad etc, måste lämpliga fästen användas för att säkerställa enheten kommer att vara säker. När enheten är ordentligt installerad måste du ta bort underlagspapperet från limmet tavlan för att exponera limytan.

### ROTATION AV FRONT(VALFRITT)

Skruva loss de 4 skruvarna som håller fast fronten till monteringspanelen med en pozidrive-skruvmejsel. Se till att fronten vrids så att "board stop"-funktionen på styrkortsguiderna är placerad på vilken yta av enheten som än har varit valt att vara undersidan. Görs ej detta att göra detta riskerar limskivan att falla ut ur enheten.



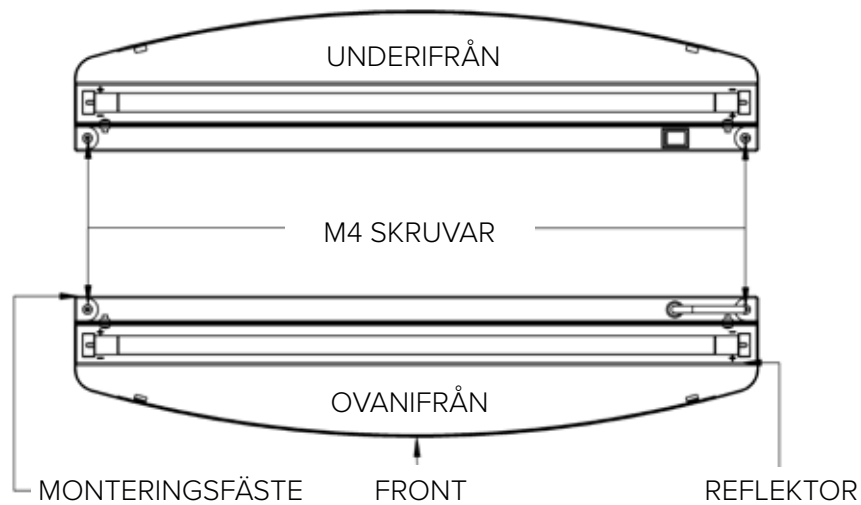
Byte av fronten är den motsatta proceduren för borttagning.

Det kan också vara fördelaktigt att vrida fronten när du monterar enheten i vertikal riktning om enheten t.ex. är placerad nära hörnet av ett rum, vilket annars skulle begränsa åtkomsten vid byte av limskivan.

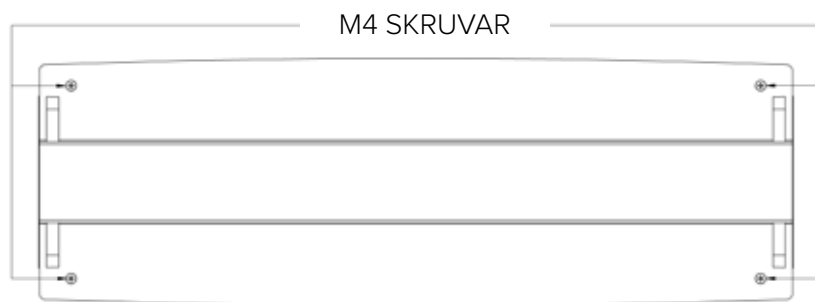
### INSTRUKTIONER FÖR INSLUTNING AV ENHETEN

Enheten har också möjlighet att kopplas in genom en direktkoppling i den bakre panelen för att tillåta anslutning direkt in i byggnaderna fast väggbelysningsledning. En knockout finns för detta på den bakre panelen och en plint finns inuti höljet för de elektriska anslutningarna. Om detta alternativ används ska det utföras av en kvalificerad elektriker och den befintliga nätsladden ska tas bort från produkten och kasseras. Se till att enheten är det ordentligt jordad.

**FÖRSIKTIGHET** - Se till att strömförsörjningen är avstängd vid säkringsdosan och ta bort säkringen eller brytaren som skyddar kretsen. Först måste enheten demonteras genom att både frontkåpan och reflektorkomponenterna tas bort.



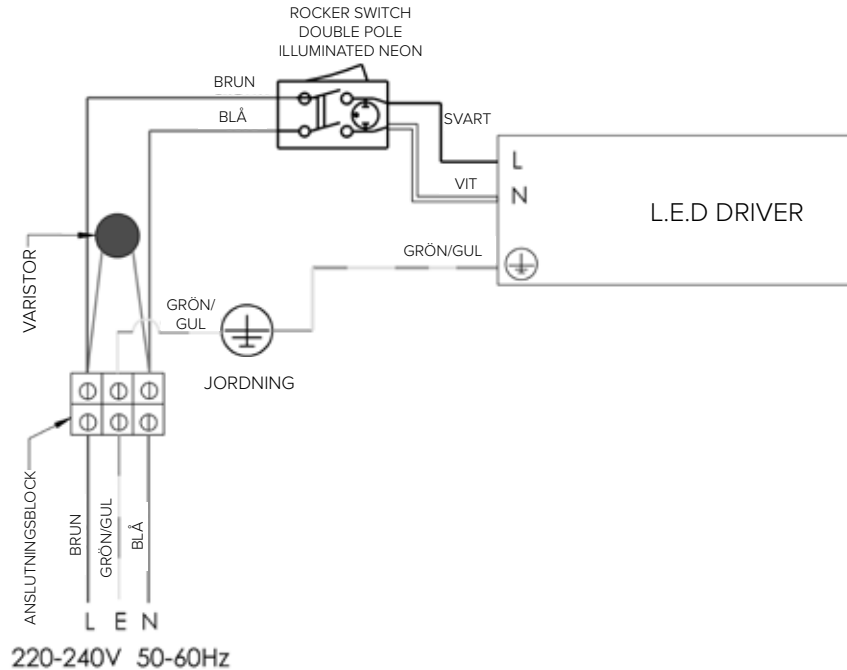
Skruva loss de 4 skruvarna som håller fast locket till monteringspanelen med en skruvmejsel, locket kan nu tas bort.



Placera locket med framsidan nedåt på en mjuk, skräpfri yta för att undvika repor på locket. Ta bort de två LED-lamporna och placera dem åt sidan.

Skruva sedan loss de 4 återstående skruvarna som håller fast reflektorn. Reflektorn kan sedan flyttas för att komma åt de interna kablarna. Skruva loss de små skruvarna på anslutningsblocket. Nätssladden kan nu tas bort från. Denna sladd ska nu kasseras.

Knockout-panelen ska sedan tas bort genom att kila in en platt skruvmejsel i utslagsslitsen och knacka skruvmejseln med en hammare försiktigt. Överdriven kraft kan deformera monteringspanelen. När kanten på knockouten är böjd kan du sedan greppa hörnet med en tång och vrida tills fästflikarna lossnar. Om kanterna på hålet är skarpa, de ska filas försiktigt ner för att säkerställa att inga kablar kan skäras av eller skadas när de passerar igenom.



### KOPPLINGSSCHEMA

För att koppla om enheten ska den fasta ledningskabeln dras genom knockouten och ledningarna ska anslutas till plint enligt kopplingsdiagrammet ovan (Live - L, Neutral - N & Earth - E). Kontrollera att enheten är korrekt jordad och se till att alla ledningar är ordentligt fastsatta genom att dra ordentligt i dem. Ingen av ledningarna ifrån lysdiodens Drivrutin ELLER mellan anslutningsblocket och omkopplaren bör manipuleras. När enheten väl har kopplats om på ett säkert sätt kan den sedan sättas ihop igen. Montering är det motsatta förfarandet för demontering.

### STÄDNING OCH UNDERHÅLL

För att behålla enheternas snygga utseende, torka av och rengör så ofta som behövs. Använd en trasa fuktad med vatten och diskmedel eller ett lättare rengöringsmedel. Använd inte skursvampar eller slipmedel. Quantum X LED-lamporna i Chameleon Sirius X bör bytas minst en gång vart tredje år. Det rekommenderas att installationsdatumet registreras för framtida referens. Quantum X LED-lampan är gjord av glas och har en splitterskyddad beläggning för att möjliggöra användning i glasexklusionszoner. Den splittersäkra beläggningen är av högsta tillgängliga kvalitet, med ett material, FEP som är både UV- och drifttemperaturtolerant, samtidigt som det tillåter hög emission av UV-ljus.

### FÖRNYAR KLIBBAR BÄSTA

Stäng av maskinen före service. Klisterskivorna bör bytas när de är fulla eller åtminstone var 6-8:e vecka. Regelbundna inspektioner av limskivan rekommenderas, eftersom de inte syns vid normal drift. Ta bort den gamla klisterskivan genom att lyfta ut den ur spåren på baksidan av locket.



### (RITNING FRÅN BAKSIDAN AV LOCKET FÖR ATT VISA SPÅR FÖR LIMSKIVANS POSITION)

Installera alltid PestWest LED 21" limskiva för att säkerställa maximal effektivitet och prestanda av Chameleon Sirius X. Denna LED 21" limskiva har utvecklats i samband med PestWest Quantum X LED-lampor för att ge den mest effektiva prestanda som möjligt. För att passa formen på Chameleon Sirius X har limskivan ett perforerat veck genom mitten av brädan. Skivan måste rivs längs denna perforering och sparas för framtida bruk. Ta bort täckpappret från den nya brädet och skjut in i spåren på baksidan av locket, med kanten där perforeringslinjen var, först. Se till att limskivan är vänd mot LED-lamporna.



**RESERVDELAR**

Limskiva : 135-000226 (LED 21" STICKY BOARD - PK6)

LED-rör: 130-000321 (Quantum X LED370nm 550 mm T5 splittringsbeständig)

För att säkerställa en säker användning och optimal prestanda, montera endast ovanstående originaldelar

Alla PestWest-enheter har 3 års garanti

(exklusive lampor och limskivor).

**BYTA LED-LAMPOR**

Stäng av maskinen före service. Kom ihåg att LED-lampor inte är samma som lysrörs-lampor. Koppla bort enheten från strömmen innan du tar bort eller sätter in en lampa för att inte riskera att permanent skada lysdioderna.



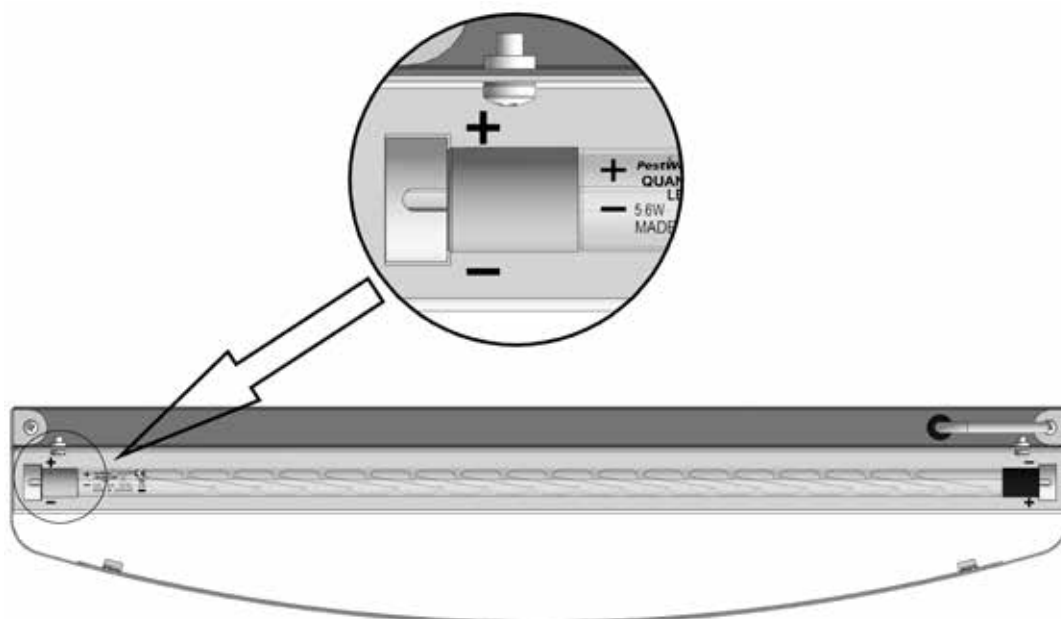
Stäng av maskinen före service. Fatta tag i och vrid varje LED-lampa 90 grader tills de två klicken hörs. Lamporna kan sedan dras ut genom att skjuta ut dem från lamphållarna.

FÖRSIKTIGHET- Quantum X LED-lampor drivs av likström (DC) endast i ena änden, vilket lätt kan kännas igen av det silverfärgade ändlocket och tryckt på vänster sida (LHS), se figur 1.

D.C.-ingångsstiften (LHS) kräver montering i rätt polaritet, positiv (+) och negativ (-). Observera att korrekt polaritet är markerad med en + & - symbol på Quantum X LED-lampan (LHS printing) och motsvarande LED-lampstift måste monteras på motsvarande + & - symboler på metallverket.

**FIGUR 1 - MONTERA LED-LAMPARNA I RÄTT POLARITET OCH ORIENTERING**

- När LED-lamporna monteras, se till att symbolerna + och - vid det silverfärgade ändlocket på rören följer symbolerna + & - i enheten. Rören kan placeras i lamphållarna i enheten på vardera sidan så länge de är korrekt inriktade med symbolerna i enheten.
- LED-lamporna passar i 3 olika konfigurationer.
- Enheten fungerar endast med Quantum X LED 370nm 550mm T5-lampor.



## **PRECAUCIONES**

**Todos los aparatos de PestWest son aparatos de Clase I que están aislados eléctricamente, sin embargo se deben tener en cuenta las siguientes precauciones:**

- **Apague el aparato antes de hacerle mantenimiento o limpieza.**
- **No instalar el aparato donde pueden darse concentraciones peligrosas de gases o polvos inflamables.**
- **Los tubos Quantum® X LED emiten luz ultravioleta UV-A en una longitud de onda crítica de 370nm que puede ser dañina para la piel y los ojos. Evite la exposición prolongada cerca de esta luz.**
- **Asegúrese de que el aparato esté correctamente conectado a tierra.**
- **Desconecte el aparato de la red eléctrica antes de realizar el mantenimiento y la limpieza, cuando se cambian los tubos fluorescentes, etc.**
- **Asegúrese que los operarios estén sobre una plataforma estable cuando trabajen con el aparato.**
- **No permita que la tabla adhesiva se llene demasiado con insectos muertos. Cambie la tabla por lo menos cada 6-8 semanas, o antes si hace falta. Utilice los recambios originales de PestWest.**
- **El Chameleon® Sirius X es para uso en interiores exclusivamente.**
- **El aparato no es apto para galpones, establos o sitios similares.**
- **El Chameleon® Sirius X puede ser utilizado por personas con capacidades físicas o mentales reducidas o sin experiencia o conocimiento, siempre y cuando hayan recibido supervisión y formación sobre el uso del Chameleon® Sirius X de forma segura y entiendan los peligros que supone.**
- **Mantenga fuera del alcance de los niños.**
- **Asegúrese de que está instalado un dispositivo de desconexión cuando el aparato se conecta a la red eléctrica, según normativa sobre el cableado.**
- **Si el cable está dañado, éste debe ser reemplazado por el fabricante, el proveedor o un agente cualificado a fin de evitar daños.**
- **Para mantener la apariencia atractiva del aparato, límpielo con un trapo con la frecuencia necesaria. Utilice un trapo humedecido con agua y detergente o un limpiador apropiado. No utilice estropajos o limpiadores abrasivos.**

## DESCRIPCIÓN

Todos los aparatos mata-insectos de PestWest están fabricados con materiales de la mas alta calidad. El chasis es de acero zintec resistente a la oxidación con un acabado de pintura de poliéster e incorpora un reflector de aluminio pulido (también hay disponible una tapa de acero inoxidable 304). El aparato emplea una tabla adhesiva normal de la gama Chameleon de PestWest e incorpora los tubos LED de última generación Quantum X LED inastillables.

El tubo Quantum® X LED se fabrica en el tamaño estandarizado T5 utilizado en los tubos fluorescentes convencionales Quantum® de 14W T5.

Las principales ventajas del tubo de Quantum® X LED son su patrón de distribución de luz mas amplio y una mayor eficiencia energética. El incremento de la atracción de los insectos se debe, en parte, a la distribución de las tiras de LED, que es de unos 360° en comparación con los 120° que los tubos LED SMD convencionales que pueden encontrarse en las trampas de luz LED de primera generación. Las tiras de LED también son más eficientes energicamente que los tubos UV-A LED SMD y los tubos fluorescentes convencionales.

El tubo Quantum® X LED consiste en 18 tiras de LED montadas sobre un marco herméticamente sellado dentro de un tubo de cristal con un sistema de refrigeración de gas de vanguardia, muy superior al disipador térmico de metal tradicional.

Cada tira de LED esta formada por 24 LEDs montados sobre una superficie transparente, lo que permite que la luz de disperse en todas direcciones. La combinación de la distribución de luz en 360° y la suave intensidad de la luz producida por una mayor cantidad de LEDs (432 por tubo) permiten al Quantum® X LED un poder de atracción superior.

## ESPECIFICACIONES TÉCNICAS

Voltaje	220-240V
Frecuencia	50-60Hz
Consumo	13,5W
Grado de Protección IP	20
Clasificación	Clase I
Temperatura ambiente de funcionamiento	0 hasta 40°C
Driver LED	Corriente constante
Cobertura	50m <sup>2</sup>
Tabla adhesiva	135-000226 Tabla Adhesiva LED
Tubo LED	130-000321 Tubo QuantumR X LED 370nm de 55cm - T5 inastillable
Montaje	Montado en pared
Dimensiones	300 x 575 x 40mm
Peso	3,1 kg

## DESEMBALAJE

Cada aparato es inspeccionado cuidadosamente antes de salir de nuestra fabrica. Antes de desechar el embalaje exterior, examínelo para ver si hay danos producidos en el transporte. Preste una atención especial a la extracción de todos los materiales de embalaje antes de instalar el aparato.

## FUNCIONAMIENTO

Las trampas de moscas eléctricas funcionan en base al principio de que la mayoría de los insectos voladores son atraídos a la luz, especialmente a la luz del espectro ultravioleta (UV). Para mayor efectividad las trampas de moscas deben dejarse en funcionamiento continuo las 24 horas del día

## COLOCACIÓN

La eficacia de la trampa de moscas puede verse afectada por la intensidad de otras fuentes competitivas de luz, ya sea natural o artificial. Es conveniente, por lo tanto, colocar el aparato donde la competencia de otras fuentes sea mínima. En áreas de preparación de alimentos, coloque el aparato junto a, pero no directamente encima de, las superficies de preparación, preferiblemente para atraer a las moscas fuera de zonas sensibles en vez de hacia ellas. Fíjese en donde se congregan las moscas, y si es posible, coloque el aparato allí o lo mas cerca posible. Coloque el aparato en una

posición donde intercepte los principales puntos de entrada de insectos, por ejemplo, cerca de puertas y ventanas que den al exterior, especialmente si dan a lugares donde se guarda la basura.

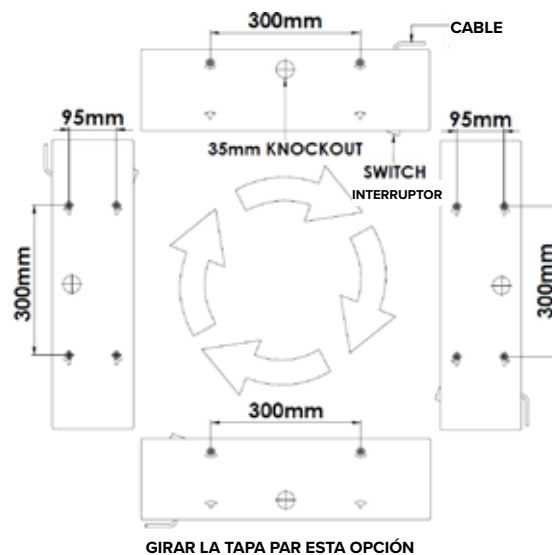
Coloque el aparato a la altura de la cabeza de manera que sea accesible para su mantenimiento, y no encima de maquinaria donde el acceso sea difícil o peligroso.

### INSTALACIÓN

Elija el sitio óptimo para la colocación del Chameleon® Sirius X según los consejos arriba detallados en "COLOCACIÓN".

El Chameleon® Sirius X de PestWest lleva un cable de 2m con enchufe, y funciona con un suministro eléctrico de 220-240 voltios y 50-60Hz. Si es necesario alargar el cable, se recomienda que lo haga un electricista competente. Asegúrese de que una vez instalado el aparato, el cable quede bien sujeto.

El aparato tiene cuatro agujeros en el panel trasero para facilitar el montaje en la pared. Se monta horizontalmente o verticalmente, orientado en cualquier dirección, de forma que el cable se pueda sacar por el lado mas conveniente en función de la localización del enchufe y permitiendo una instalación limpia. La trampa se suministra, como estándar, para ser montada con el interruptor bajo el chasis principal, o verticalmente en cualquier dirección. Si se escoge una de estas opciones de montaje, no es necesario retirar y girar la tapa.



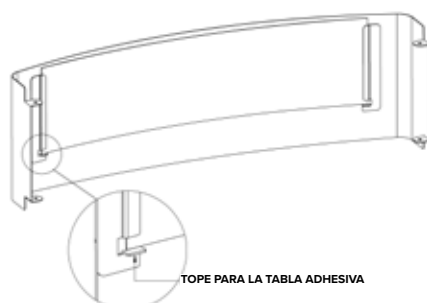
Cuando se monta la trampa en según que dirección, es necesario girar la tapa para evitar que la tabla adhesiva se salga de la trampa. Lea el apartado "ROTACIÓN DE LA TAPA" y siga las instrucciones. Se utilizan 2 agujeros para el montaje horizontal y 4 agujeros para el montaje vertical.

Use la plantilla y marque en la pared los agujeros de fijación. Emplee una broca de 5,5mm y taladre hasta una profundidad de 40mm. Inserte los tacos suministrados dentro de los agujeros taladrados y luego inserte los tornillos, dejando la cabeza del tornillo aprox. 10mm fuera de la pared. El aparato se cuelga de los tornillos. Nota: para paredes de pladur (cartón yeso), utilice un tipo de anclaje apropiado. Una vez instalado, quite el papel protector de la tabla adhesiva.

### GIRAR LA TAPA (OPCIONAL)

Retire los 4 tornillos que sujetan la tapa a la placa de montaje con la ayuda de un destornillador de estrella (Philips). Asegúrese de que la tapa esté girada y que la pieza que sujeta la tabla esta en la misma dirección en la que está montada la parte inferior de la tapa. De no ser así, la tabla adhesiva se caerá de la trampa.

Para colocar de nuevo la tapa, invierta los pasos realizados para retirarla. Puede resultar práctico girar la tapa cuando monte la trampa en posición vertical (por ejemplo, cuando se quiere instalar cerca de una esquina), ya que de esta manera se facilitara el acceso a la tabla adhesiva y sin necesidad de desmontar la tapa.



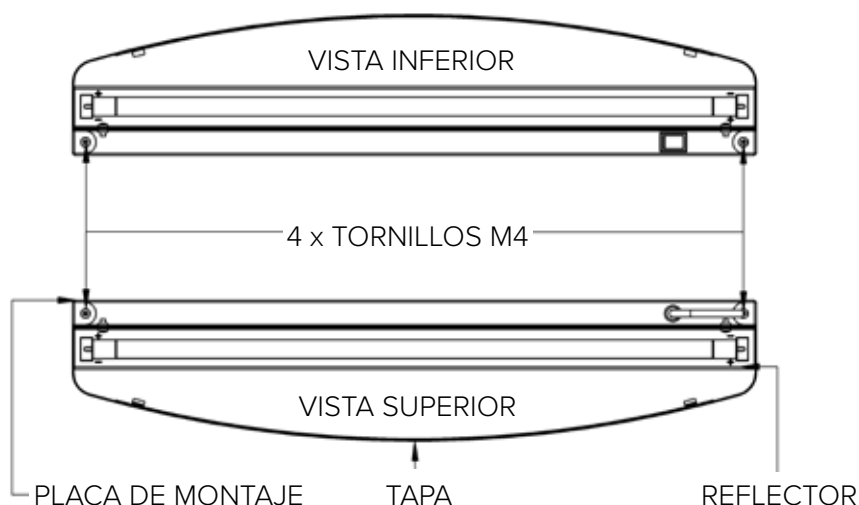
### INSTRUCCIONES PARA LA CONEXIÓN DIRECTA A LA RED ELÉCTRICA

El aparato tiene la opción de ser conectado directamente a la red eléctrica a través del agujero con placa extraíble que se encuentra en la parte posterior del aparato. El bloque conector está dentro del aparato para el cable. Si se emplea esta opción, la operación debe ser llevada a cabo por un electricista competente y se debe quitar y desechar el cable de red con el que viene el aparato. Asegúrese de que el aparato está correctamente conectado a tierra.

**AVISO – Asegúrese que la fuente de alimentación esté desconectada del cuadro eléctrico, quitando el fusible o apagando el interruptor correspondiente.**

Primero se debe desensamblar el aparato, quitando la tapa y el reflector.

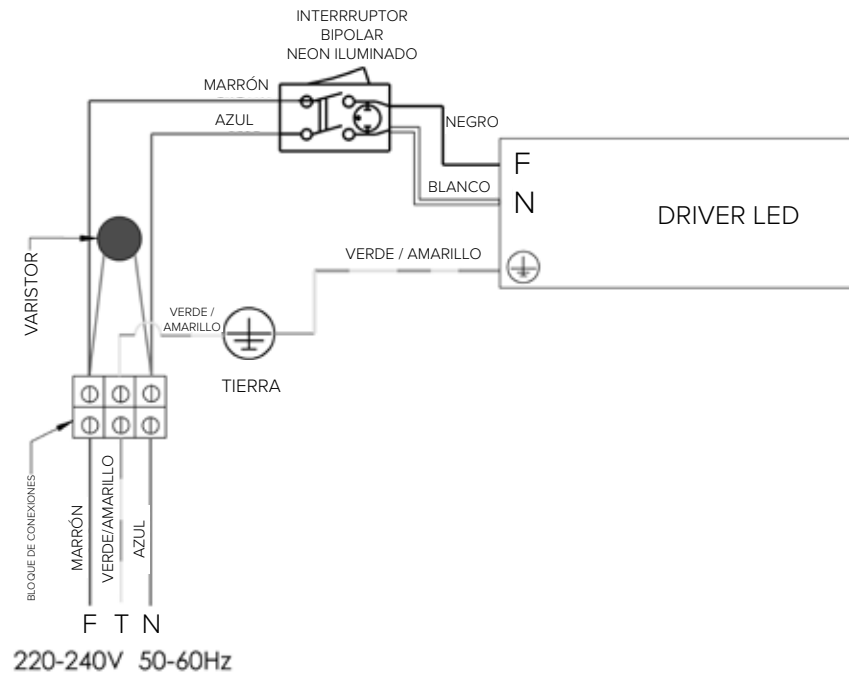
Destornille los cuatro tornillos que sujetan la tapa a la placa de montaje y quite la tapa. Ponga la tapa cara abajo sobre una superficie suave para no rallarla. Saque las dos lámparas.



A continuación, quite los 4 tornillos restantes que fijan el reflector. Ahora puede quitarse el reflector para dejar al descubierto el cableado interno. Suelte los dos tornillos pequeños que sujetan los cables de corriente y neutro en el bloque conector y saque los cables. Luego suelte la tuerca M4 que sujeta los cables verde/ amarillo de tierra. Saque la tuerca, la arandela superior y el cable de tierra que lleva a la corriente. Deje el otro cable de tierra en su sitio. Ahora se puede sacar el cable de corriente comprimiendo el retén. Este cable se debe eliminar.



A continuación, quite la placa extraíble poniendo la punta de un destornillador plano en la ranura de la placa y golpeándola con suavidad con un martillo. No le pegue con excesiva fuerza porque podría deformar la placa de montaje. Una vez haya doblado la orilla de la placa extraíble puede pillar una esquina con unos alicates y tirar hasta que se rompan las sujeciones. Si las orillas del agujero quedan afiladas, límelas para asegurarse de que no se corten o dañen los cables.



**DIAGRAMA DE CONEXIONES**

Para volver a conectar el cableado, el cable de corriente fijo se tiene que pasar por el agujero y el cable de tierra se tiene que volver a conectar al bloque de conexiones como muestra el diagrama (Fase - F, Neutro - N, Tierra - T). Compruebe que el aparato esté correctamente conectado a tierra y que los dos cables de tierra estén bien fijados antes de proseguir con la instalación. No deben manipularse los cables que salen del driver LED o entre el bloque de conexiones y el interruptor. Una vez que el aparato ha sido cableado de nuevo con seguridad se puede volver a ensamblar. Para el ensamblaje se utiliza el procedimiento inverso al que se utilizó para desensamblar el aparato.

**LIMPIEZA Y MANTENIMIENTO**

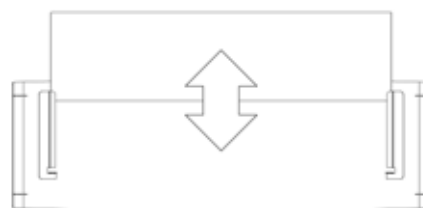
Para mantener el aspecto atractivo del aparato, límpielo con un trapo humedecido con agua y detergente o un limpiador de marca. No use trapos o limpiadores abrasivos.

El tubo Quantum® X LED debe cambiarse al menos una vez cada 3 años. Se recomienda llevar un registro de la fecha del cambio del tubo para consultarlo en el futuro. El tubo Quantum® X LED está fabricado en cristal y tiene una cubierta de alta calidad de FEP resistente a impactos que permite que pueda instalarse en áreas sensibles. La cubierta de FEP es resistente a la luz UV y al calor, sin comprometer la transmisión de la luz UV.

**CAMBIO DE LA TABLA ADHESIVA**

Apague el aparato antes de hacerle el mantenimiento.

Se deben cambiar las tablas adhesivas cuando estén llenas o al menos cada seis a ocho semanas. Se recomienda inspeccionar las tablas adhesivas con frecuencia porque no están a la vista cuando el aparato está operativo. Quite la tabla usada sacándola de las guías del interior de la tapa.



(Vista desde parte posterior de la tapa para mostrar las guías y la posición de la tabla)

Instale siempre las tablas adhesivas PestWest LED para asegurar la máxima eficiencia y eficacia del Chameleon® Sirius X. Esta tabla adhesiva ha sido desarrollada junto con los tubos PestWest Quantum® X LED para ofrecer un funcionamiento óptimo.

Quite el papel protector de la tabla nueva e insértela en las guías del interior de la tapa, con el lado de la perforación primero. Asegúrese de que la cara pegajosa mira hacia los tubos LED

**RECAMBIOS**

Tablas adhesivas: 135-000226 (Tabla Adhesiva LED)

Tubo LED: 130-000321 (Tubo Quantum® X LED 370nm de 55cm - T5 inastillable)

Para garantizar la máxima eficiencia de la trampa, utilice solo los recambios originales arriba indicados.

Todos los dispositivos PestWest disponen de una garantía de 3 años (excluyendo los tubos de luz ultravioleta y las tablas adhesivas).

**CAMBIO DE LAS LÁMPARAS LED**

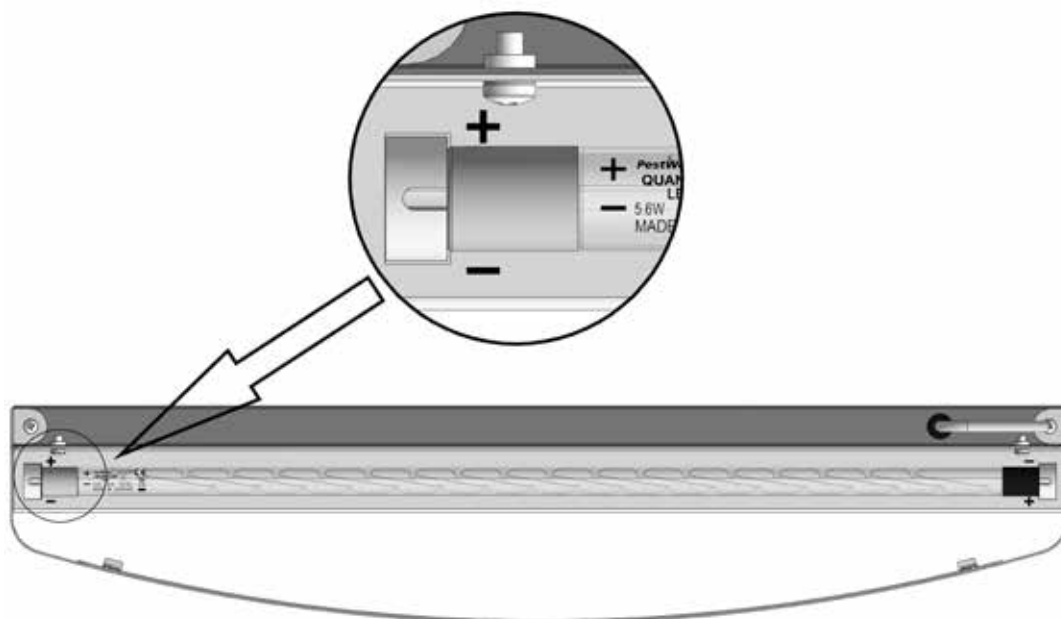
Desconecte el aparato antes de realizar el mantenimiento. Recuerde que los tubos LED no son como los tubos fluorescentes. Si se desconecta el aparato mientras se retira o se coloca el tubo, es probable que los LEDs se dañen de forma permanente. Ésto resultará en que el tubo quedará dañado e irreparable.



Desconecte el aparato antes de realizar el mantenimiento. Retire cada tubo LED agarrándolo y girándolo 90° hasta que se escuchen 2 clics. Los tubos pueden ahora ser retirados del portatubos. **PRECAUCIÓN::** Los tubos Quantum® X LED trabajan con corriente continua (CC) en solo uno de los extremos, fácilmente identificable por el casquillo plateado y la inscripción (ver gráfico 1). Las clavijas de alimentación de CC necesitan colocarse en la polaridad correcta, positiva (+) y negativa (-). Por favor, vea que la polaridad correcta viene marcada en el símbolo + y - en la inscripción del tubo. Las correspondientes clavijas deben colocarse en la posición adecuada según indican el símbolo + y - en el chasis metálico, en el lado izquierdo de la trampa, cerca de los portatubos. Para colocar los nuevos tubos, siga los pasos anteriores en sentido inverso.

**GRÁFICO 1 - COLOCACIÓN DE LOS TUBOS EN LA POLARIDAD Y ORIENTACIÓN CORRECTAS**

- Cuando coloque los tubos, asegúrese de que los símbolos + y - el casquillo plateado en el extremo del tubo, quedan alineados con los símbolos + y - del aparato.
- Los tubos LED pueden colocarse en 3 posiciones diferentes.
- La trampa solo funcionará con los tubos Quantum® X LED 370nm 55cm T5.



\*El fabricante reserva la derecha de modificar las especificaciones este aparato sin previo aviso.







**Chameleon**<sup>®</sup>

SIRIUS

QUANTUM<sup>®</sup>  
LED